



Type EPZ

Technical specification

Part number: Please refer to page 10 for part numbering system

Features

- Available in brass, stainless steel and aluminium
- Various threadforms available

Benefits

- Provides an earthbound connection for an entry component

Materials

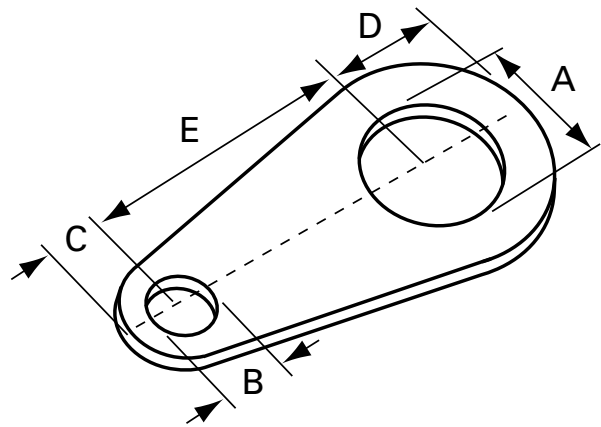
- Brass CZ121
- 316 stainless steel
- Aluminium

Threadforms

- Metric
- NPT
- NPSM
- PG
- ISO pipe (BSP)
- ET

Plating options

- Electroless nickel
- Zinc
- Others on application



Dimensions of metric versions *For information only - shape of product / outer diameters may change.

Size A	Thickness	B	C	D	E
M16	1.40	7.00	7.00	13.50	35.30
M20	1.40	7.00	7.00	13.50	35.30
M25	1.40	10.50	10.00	18.50	41.40
M32	1.40	12.00	13.00	23.30	53.90
M40	1.40	14.00	17.50	26.30	60.00
M50	1.40	14.00	17.50	32.10	76.10
M63	1.40	14.00	17.50	39.50	84.00
M75	1.40	14.00	17.50	44.00	94.50