



CONTENTS

Safety	3
Meter Buttons	4
LCD Display	4
Meter Installation	5
Relieve System Pressure	5
Grounding	5
Flushing Procedure	5
Attach Meter to Hose	6
Attach Nozzle to Meter	6
Meter Operation	7
Manual Mode	7
Auto Batch Mode	7
Operating Mode Functions	8
Resettable and Accumulated Totals	8
Emergency Override	8
Error Codes	8
Service	9
Low Battery	9
Changing the Batteries	9
Change Factory Settings	10
Verify Firmware Version	10
Programming	10
Change Unit of Measure	10
Change Scale Factor	11
Save Changes	11
Verify Changes	11
Calculate Scale Factor	11
Absolute Scale Factor	12
Chart of Approximate Scale Factors	12
Dimensions	13
Specifications	13
Parts	14
Troubleshooting	16

SAFETY

⚠ WARNING

IMPROPER GROUNDING, POOR VENTILATION, OPEN FLAMES OR SPARKS CAN CAUSE A HAZARDOUS CONDITION AND RESULT IN AN EXPLOSION OR FIRE AND CAUSE SERIOUS INJURY.

- Be sure the fluid system is properly grounded. See your pump instruction manual for details.
- If there is static sparking or if you feel an electric shock while using the meter, stop dispensing immediately. Identify and correct the problem before continuing.
- Provide fresh air ventilation. This will avoid the buildup of fumes from the fluid being dispensed.
- Do not smoke while dispensing flammable fluids.
- Keep the dispensing area free of debris including solvents, rags and spilled gasoline.

⚠ WARNING

EQUIPMENT MISUSE CAN CAUSE THE METER TO RUPTURE OR MALFUNCTION AND CAUSE SERIOUS INJURY.

- This equipment is for professional use only.
- Read all instructions, tags and labels before operating the equipment.
- Use the equipment only for its intended purpose.
- Do not modify or alter the equipment.
- Do not leave equipment unattended while dispensing.
- Check equipment daily. Repair or replace worn or damaged parts immediately.
- Do not exceed the maximum working pressure level of the lowest rated system component.
- Use only extensions and nozzles that are designed for use with this equipment.
- Use only fluids and solvents that are compatible with the equipment. Read all fluid and solvent manufacturer's warnings.
- Tighten all fluid connections before operating this equipment.
- Do not stop or deflect leaks with hands, body, gloves or rags.
- Do not dispense towards any person or any part of the body.
- Do not place hands or fingers over the end of or into the dispense valve.
- Comply with all local, state, and federal fire, electrical and safety regulations
- Use of this product in a manner other than specified in this manual may result in impaired operation or damage to equipment.

⚠ WARNING

THIS METER IS DESIGNED SPECIFICALLY TO DISPENSE ANTIFREEZE (ETHYLENE GLYCOL) SOLUTION, WINDSHIELD WIPER FLUID, BRAKE FLUID AND WATER BASED SOLUTION. DO NOT USE FOR PETROLEUM PRODUCTS.

METER BUTTONS



Figure 1: Meter button location

	Used to enter the batch quantity to be dispensed.
	Used to display the accumulated total of fluid dispensed as well as the resettable total during <i>Auto Batch</i> and <i>Manual Mode</i> .
	Used to enter and exit the <i>Manual</i> or <i>Auto Batch</i> mode.
	<ul style="list-style-type: none"> Used in the <i>Manual</i> mode to clear the dispensed quantity. Used in the <i>Auto Batch</i> mode to clear the dispensed quantity and reset the meter for the next batch. Used to reset the resettable total dispensed while pressing the TOTAL button.
	Used to stop the flow through an <i>Emergency Override</i> .

Table 1: Button descriptions

LCD DISPLAY

	1. Displays <i>Resettable Total</i> , <i>Accumulated Total</i> and <i>Scale Factor</i> .
	2. Displays <i>Unit of Measure</i> .
	3. Arrow- not used.
	4. Preset batch quantity.
	5. History icon- not used.
	6. Auto is an indicator of unit being in <i>Auto Batch Mode</i> .
	7. Low battery icon.

Table 2: LCD display description

METER INSTALLATION

Relieve System Pressure

⚠ WARNING

THIS EQUIPMENT STAYS PRESSURIZED UNTIL THE PRESSURE IS MANUALLY RELIEVED.

1. Turn off the power supply to the pump or close the shutoff valve.
2. Dispense any fluid in the system into a waste container by opening the meter.
3. Open all bleed-type master air valves and fluid meter in the system.
4. Leave the meter open until ready to pressurize the system.

To reduce the risk of injury from fluid spray from the meter, follow this procedure when you:

- Are instructed to relieve pressure.
- Stop dispensing.
- Check, clean or service any system equipment.
- Clean or install nozzles.

Grounding

⚠ WARNING

MOVEMENT OF FLUIDS THROUGH THE DISPENSING SYSTEM CREATES STATIC ELECTRICITY. STATIC ELECTRICITY CAN CAUSE VOLATILE FUMES RESULTING IN AN EXPLOSION AND FIRE. THE DISPENSING SYSTEM MUST BE GROUNDED.

Grounding reduces the risk of static sparking. Ground all system components according to local, state and federal codes. Consult the pump user manual and other system components to ground the following:

- Pump: follow manufacturer's recommendations
- Air and Fluid Hoses: use only grounded hoses
- Air Compressor: follow manufacturers recommendations
- Fluid Supply Container: follow the local code

Flushing Procedure

⚠ CAUTION

IF THIS INSTALLATION IS NEW OR IF THE FLUID IN THE LINES IS CONTAMINATED, FLUSH THE SYSTEM BEFORE INSTALLING THE METER(S).

NOTE: If the system has multiple dispense positions, begin at the position farthest from the pump and move towards the pump.

1. Close fluid dispense valves at every position.
2. Once the main fluid outlet valve at the pump is closed and the air pressure to the pump motor is properly adjusted, the air valve is opened.
3. Slowly open the main fluid valve.
4. Place the hose end in a waste container. Make sure the hose is secure so no fluid leaks during flushing.
5. Slowly open the dispense valve and allow enough fluid to pass through it to ensure that the system is clean.
6. Close the valve and repeat for all dispense positions.

Attach Meter to Hose

Close the drain valve before starting this procedure.

1. Attach swivel to meter. Apply Loctite® 243 thread sealant, or equivalent, to the male end of the hose. See *Figure 2*.

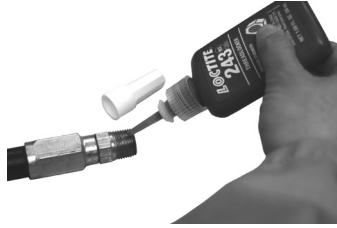


Figure 2: Apply thread sealant

2. Insert the metal end of the hose into the swivel. See *Figure 3*.



Figure 3: Insert hose into swivel

3. Tighten completely with an open ended, adjustable, wrench. See *Figure 4*.



Figure 4: Use wrench to tighten

NOTE: The threaded end of the meter always has female threads. The metal end of the hose must have male threads. The inlet and outlet swivel connections are either 1/2" NPT or 1/2" BSPP, depending on meter model.

Attach Nozzle to Meter

1. On the opposite end, apply Loctite® 243 sealant, or equivalent, to the end of the nozzle. Thread the nozzle onto the meter. See *Figure 5*.



Figure 5: Thread nozzle onto meter

2. Screw it in tightly with an open-ended, adjustable, wrench. See *Figure 6*.



Figure 6: Tighten nozzle with wrench

3. Open all dispense position shutoff valves. Start the pump to pressurize the system.
4. Before use, to ensure accuracy, purge all air from the fluid lines and dispense valve(s).

METER OPERATION

NOTE: **AUTO** is used to toggle between *Manual Mode* and *Auto Batch Mode*.

Manual Mode

In *Manual Mode* the meter operates as a free flow-dispensing handle.



Figure 7: Manual mode screen

1. Pull the trigger to begin the flow.
2. The display shows the amount dispensed.
3. When the desired amount has been dispensed, release the trigger to stop the flow.
4. Press **RESET** once to reset the counter display to zero.

Auto Batch Mode

To enter *Auto Batch Mode* from *Manual Mode* press **AUTO**. When in *Auto Batch Mode*, the *Auto* icon displays and the batch quantity shows in the lower right hand LCD display.



Figure 8: Auto batch mode display

1. Change the batch size by pressing **10**, **1**, and **0.1**.
 - a. Press **10** to increase the batch amount in increments of 10 units.
 - b. Press **1** to increase the batch amount in increments of 1 unit.
 - c. Press **0.1** button to increase the batch amount in increments of 0.1 units.
2. Pull the trigger to begin the flow. The solenoid valve, in the meter, automatically locks the dispensing valve in the full open position.
3. Release the trigger, allowing it to fall back.
4. The flow automatically shuts off after the batch quantity has dispensed.

5. After the batch quantity has been dispensed the meter is a free flow-dispensing handle until the reset button is depressed.

- a. To top off the fluid, pull the trigger to bring the flow and release it when the correct amount has been pumped.

NOTE: In case of an emergency or to interrupt a batch, the meter is equipped with an *Emergency Override*.

See "*Emergency Override*"

6. Press **RESET** when finished. The display resets and the meter is now ready for the next batch to be dispensed.

OPERATING MODE FUNCTIONS

These functions operate the same in Manual Mode and Auto Batch Mode.

Resettable and Accumulated Totals

The meter has two flow totalizers, *Resettable Total* and *Accumulated Total*.

1. Press and hold **TOTAL** to display *Accumulated Total*, after holding for three seconds the display changes to *Resettable Total*.
2. *Resettotal* displays the total fluid dispensed since the Resettable Total was last set back to zero.



Figure 9: Resettable total display

3. Press **RESET** while viewing *Resettotal* to set it back to zero.
4. Release **TOTAL** to return to the operating screen.

NOTE: The *Accumulated Total* cannot be reset unless the user changes from English units to metric units or from metric to English units. See "*Change Unit of Measure*" on page 10.

Emergency Override

In case of an emergency or to interrupt a batch, the meter is equipped with an *Emergency Override* which closes the valve, immediately stopping fluid flow.

1. Press **O** to activate the *Emergency Override*.
2. After an *Emergency Override*, batching can continue by pulling up on the trigger.

Error Codes

The meter has one error code that may display:

SF0 (Scale Factor 0) The Scale Factor setting for the meter is set to 0.000.

The code provides an indication, at the meter, that there is an error in communication between the meter and keypad. To correct the error, input a valid Scale Factor for the meter follow the instructions in "*Change Scale Factor*" on page 11. All other error codes are for factory purposes only. To clear the meter, press **RESET**.

SERVICE

Low Battery

When the batteries need to be changed a progression of warnings appears on the meter screen. First, the *Low Battery* icon will appear on the display, this means that the batteries are getting low, and should be changed. When the icon begins to flash, the battery power is too low, and meter functions are disabled.

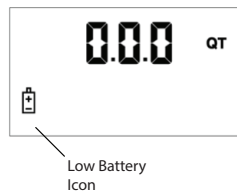


Figure 10: Low battery icon

Changing the Batteries

The battery compartment is located in the lower case on the underside of the trigger guard.

1. Turn the unit face down.
2. Unscrew the two screws. Remove the battery door to expose the batteries.

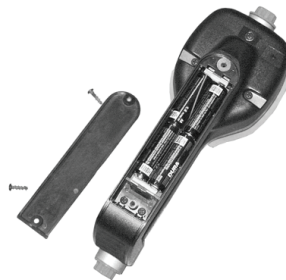


Figure 11: Replacing the batteries

3. Replace the old batteries. The meter takes four AA, alkaline, batteries. Battery polarity markings are inside the battery compartment.
4. Dispose of used batteries properly, according to local regulations.

NOTE: Changing the batteries does not affect any of the programmed values or totals.

CHANGE FACTORY SETTINGS

Each meter is calibrated at the factory for use with motor oil. See "Change Scale Factor" on page 11 The *Unit of Measure* is also selected prior to shipment.

Verify Firmware Version

The firmware version and code checksum are displayed by pressing and holding **TOTAL** and **1** simultaneously. The last two digits on the lower right are the firmware version. Meters with version 16 or higher use the procedure outlined in this manual for changing the unit of measure, scale factor and enabling or disabling the EPM functionality.

Programming

1. Press and hold **TOTAL** and **AUTO** simultaneously. PrG will appear on the display.



Figure 12: Entering programming mode

2. Release the buttons.
3. Press and release these buttons in order: **1**, **AUTO**, **10**, **0.1**, and **TOTAL**.
4. The current unit of measure will now be flashing indicating that you have entered the programming mode.

Change Unit of Measure

The meter comes with an option to choose four different units of measure.

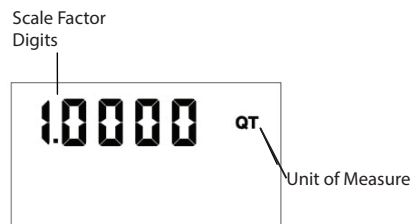


Figure 13: Unit of measure display

1. The current unit of measure will flash when *Programming Mode* is entered.
2. Press **TOTAL** to toggle amongst the four options; PT, QT, GAL, L.
3. When the correct unit of measure is displayed, press **RESET** to select it. The unit of measure will stop flashing.
4. If L (liters) is selected, the decimal point will be flashing. The decimal point can either be changed to a comma or a period. To do this press **TOTAL**.
5. If no scale factor changes are necessary, see "Save Changes" on page 11.

CAUTION

CHANGING THE UNIT OF MEASUREMENT FROM METRIC TO ENGLISH OR FROM ENGLISH TO METRIC CLEARS THE RESETTABLE TOTAL AND ACCUMULATED TOTAL.

Change Scale Factor

⚠ WARNING

CHANGING THE SCALE FACTOR CHANGES THE ACCURACY OF THE METER, POTENTIALLY CAUSING IT TO OVERFILL OR UNDER FILL. THIS HAS THE POTENTIAL TO CAUSE A MECHANICAL BREAKDOWN.

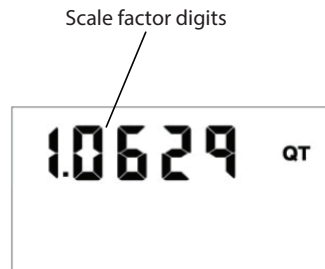


Figure 14: Scale factor display

1. Press **RESET** to advance through the scale factor digits.
2. To change the selected number, press **TOTAL**.

NOTE: All digits can be scrolled between 0 and 9 except the first. It can only be toggled from 0 to 1 or from 1 to 0.

3. Press **RESET** to advance to the next digit in the scale factor.
4. Repeat steps 2 and 3 for all five digits.

Save Changes

To save changes and exit programming mode:

1. Press and hold **TOTAL** and **AUTO** simultaneously.
2. The display will flash three times and go blank.
3. Press **RESET** and the display will turn back on.

Verify Changes

1. Verify unit of measure is correct.
2. Press and hold **TOTAL** and **AUTO** simultaneously to verify the scale factor is correct.

CALCULATE SCALE FACTOR

A Scale Factor is a number used to adjust meter accuracy. The Scale Factor is set at the factory using motor oil with a viscosity of 10W. The primary use for Scale Factor recalibration is to batch fluids with different viscosities. If the fluid has a lower viscosity, more fluid can slip past the meter gears without being detected. Changing the Scale Factor adjusts the meter to compensate for the loss. The meter multiplies each pulse by the Scale Factor number to correct the accuracy when it converts to the specified units. For an approximate Scale Factor for fluids of different viscosities, see "Chart of Approximate Scale Factors" on page 12.

NOTE: The meter's original Scale Factor was written on the trigger when it was calibrated at the factory. It may have been revised after field installation. Use the Scale Factor showing on the display, not on the trigger.

⚠ WARNING

CHANGING THE SCALE FACTOR WILL CHANGE THE ACCURACY OF THE METER, POTENTIALLY CAUSING IT TO OVERFILL OR UNDER FILL. THIS HAS THE POTENTIAL TO CAUSE A MECHANICAL BREAKDOWN.

To view the current scale factor, press and hold **TOTAL** and **AUTO** simultaneously.

Absolute Scale Factor

For absolute scale factor, perform this test:

1. Run a measured amount of fluid through the meter.
2. If the meter delivers 4.20 quarts and the display shows only 4.00 quarts, then the Scale Factor needs to be adjusted.
3. Divide what the meter delivered (4.20) by what the display shows (4.00). You get an error factor of (1.05).
4. The existing Scale Factor is 1.0123, as shown in steps 1 and 2 in "Verify Changes" on page 11.
5. To calculate a new factor: 1.0123 (existing Scale Factor) \times 1.05 (error factor) = 1.0629 (new Scale Factor).
6. Enter that number as described in the "Change Scale Factor" on page 11.

NOTE: Use the Scale Factor shown on the display, not on the trigger.

Chart of Approximate Scale Factors

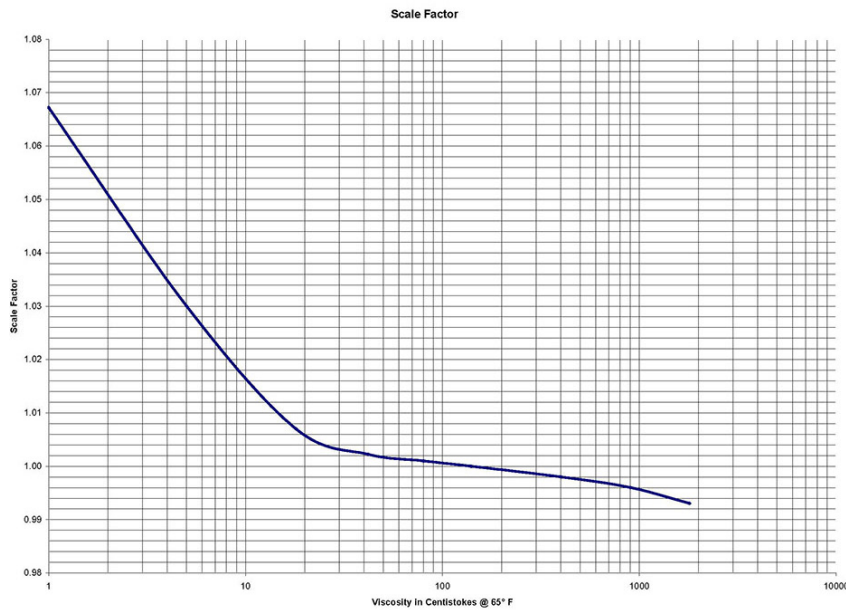


Figure 15: Scale factors for fluids with different viscosities

Fluid	Viscosity	Scale Factor
Water/anti-freeze	5	1.044
Anti-freeze	18	1.007
Brake Fluid	42	1.004
ATF	80	1.002
10W	140	1.000
80W-90	450	0.999
140W	1800	0.993

Table 3: Fluid viscosity and scale factor

DIMENSIONS

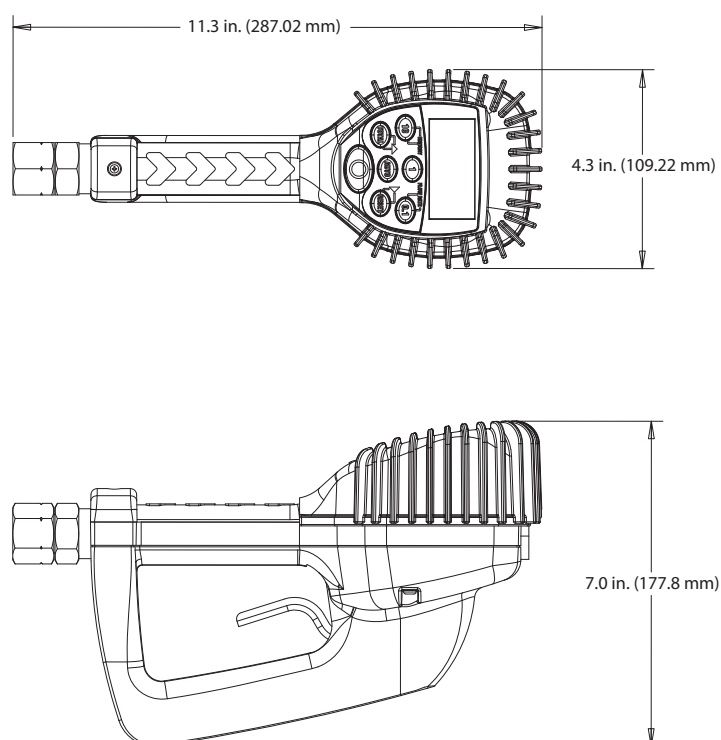


Figure 16: Meter dimensions

SPECIFICATIONS

Maximum flow *	10 gpm (38 lpm)
Minimum flow *	0.25 gpm (1 lpm)
Operating pressure (maximum)	1000 psi (67 bar)
Operating pressure (minimum)	5 psi (0.35 bar)
Operating temperature (maximum)	120° F (50° C)
Operating temperature (minimum)	20° F (-5° C)
Accuracy (general)	+/- 0.5%
Accuracy (anti-freeze)	+/- 1.5%
5-digit LCD display	Quarts, Pints, Gallons, Liters
Inlet and outlet connections	1/2" NPT (1/2" BSPP)
* Minimum and maximum flow range will vary with fluid viscosity	

Table 4: Part numbers: inside meter

PARTS

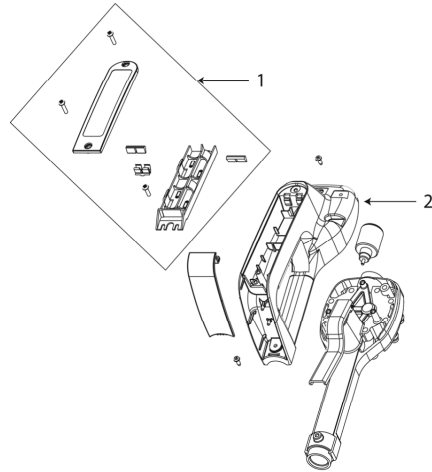


Figure 17: Parts: back of meter

Item	Description	Part Number
1	Battery holder assembly	64103-026
2	Bottom case with screws	64103-003

Table 5: Part: back of meter

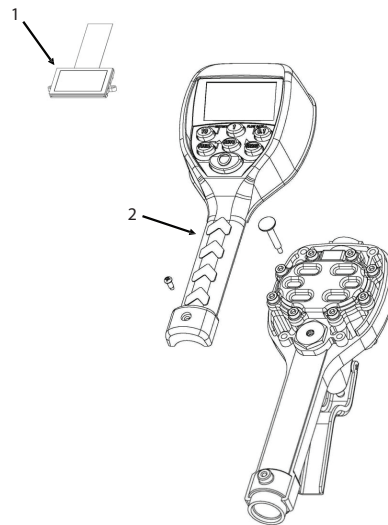


Figure 18: Parts: front of meter

Item	Description	Part Number
1	Display assembly	64103-023
2	EPM2 std. register assembly	64103-024
Not shown	Swivel, NPT, special fluids	64082-003
Not shown	Rubber boot	65546-001

Table 6: Part numbers: front of meter

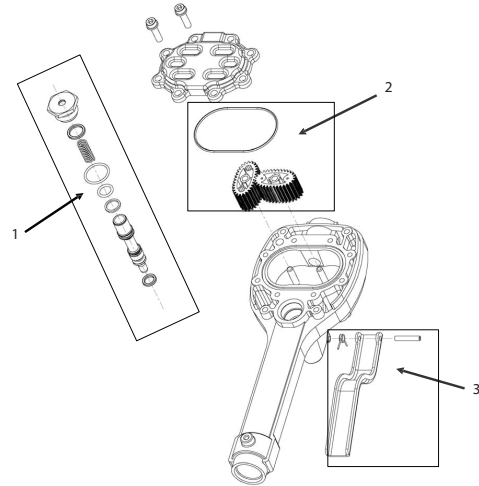


Figure 19: Parts: inside meter

Item	Description	Part Number
1	Valve assembly	64103-011
2	Gear service kit with O-ring	62896-003
3	Trigger Assembly	64103-005

Table 7: Part numbers: inside meter

TROUBLESHOOTING

⚠ WARNING

RELIEVE THE PRESSURE PRIOR TO CHECKING OR REPAIRING THE METER. MAKE SURE ALL VALVES, CONTROLS AND PUMPS ARE OPERATING CORRECTLY.

Symptom	Possible Cause	Remedy
Battery icon is displayed	Batteries are low	Replace batteries
Display blank	Meter asleep	Press RESET
	Loose battery connection	Remove battery pack and check battery connection / press RESET
	Batteries dead	Replace batteries / press RESET
Meter does not latch for batching	Meter not in AUTO mode	Press AUTO and program batch size
	Meter not reset after prior batch	Press RESET
	Low batteries	Check for battery icon / replace batteries / press RESET
Slow or no fluid flow	Filter is clogged	Clean or replace the filter in the swivel nut
	Pump pressure is low	Turn up the pump pressure
	Foreign material is jamming meter	Contact your local distributor for repair
Meter inaccurate	Scale Factor is not correct for fluid	Enter <i>Program Mode</i> , check and reset the Scale Factor

Control. Manage. Optimize.

Trademarks appearing in this document are the property of their respective entities. Due to continuous research, product improvements and enhancements, Badger Meter reserves the right to change product or system specifications without notice, except to the extent an outstanding contractual obligation exists. © 2015 Badger Meter, Inc. All rights reserved.

www.badgermeter.com