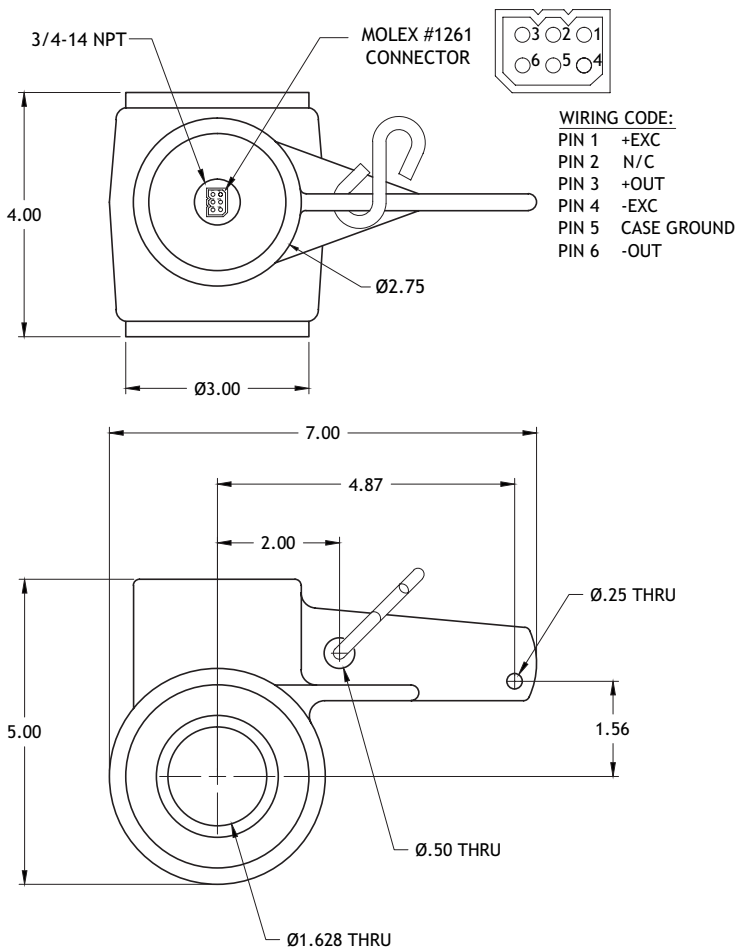


Polished Rod Load Cell

Model XLDR



All dimensions are in inches, unless otherwise noted. Also available in metric units.



max.
50,000
lbs



Measuring ranges

- 0-30,000 to 0-50,000 lbs



Features

- Supplied with set of spherical washers
- Cable with mating connector supplied
- High resistance bridge available



Drawing

- 99-3468-0000

PERFORMANCE SPECIFICATIONS (FSO is Full Scale Output)		Capacity (lbs)	Ordering Example
EXCITATION	5 VDC to 15 VDC	30,000	XLDR-030K
OUTPUT	2 mV/V Nominal	50,000	XLDR-050K
BRIDGE RESISTANCE	700 Ohms Nominal		
INSULATION RESISTANCE	1 Megaohm		
LINEARITY			
HYSTERESIS	±0.50% FSO, Combined		
REPEATABILITY			
ZERO BALANCE	±1.0% FSO		
OPERATING TEMP RANGE	-40 to +175°F (-40 to +80°C)		
COMPENSATED TEMP RANGE	0 to +150°F (-18 to +65°C)		
THERMAL EFFECTS			
on Zero	±0.05% FSO/°F		
on Span	±0.02% Reading/°F		
SAFE OVERLOAD	200% of Capacity		
FATIGUE LIFE, NO. OF CYCLES	50,000,000		
STANDARD CALIBRATION	Compression		