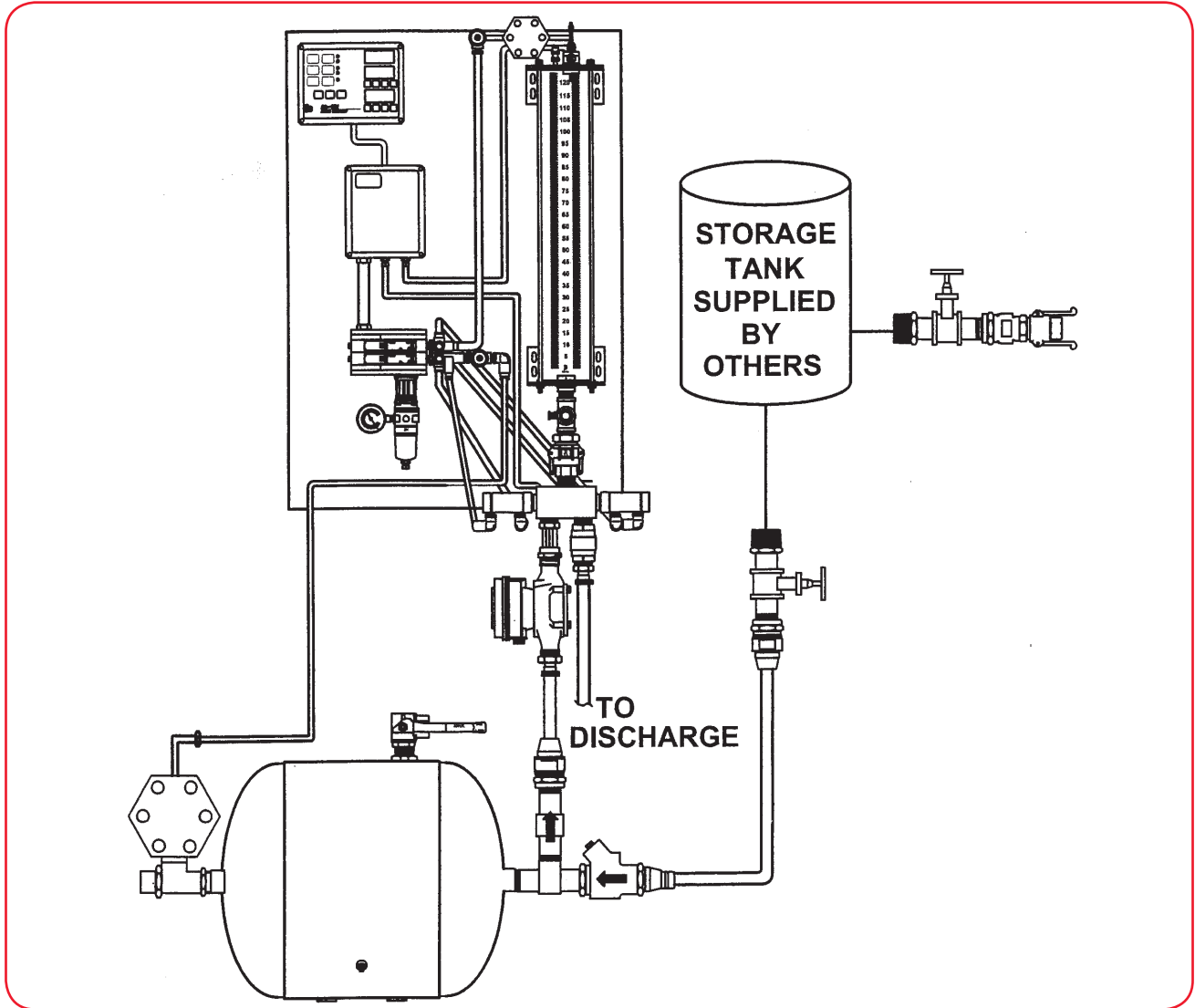




Badger Meter

Admix Dispenser System

Complete Dispenser Guide

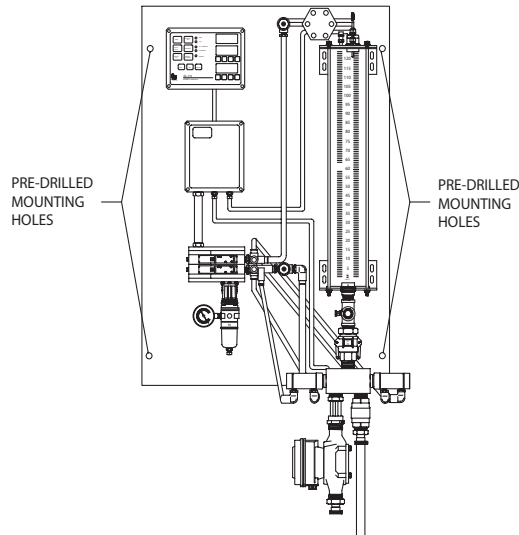


INSTALLATION

Mounting the Dispenser

The mounting location of the dispenser level is very important for accurate readings of the measuring units. Mount the dispenser in a visible location for operators to verify the admix batches. For operator convenience, place the AC-151 control in the same proximity as other batch plant controls.

Four pre-drilled holes are provided on the steel back plate.



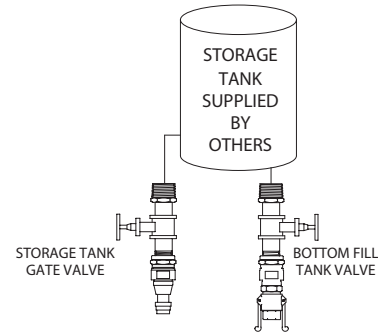
Use a minimum of 3/8" hex bolt and nut when mounting the dispenser to a metal or other bolt-through surface. Do not use lag bolts on plywood surfaces. If using lag bolts, a minimum of 1-5/8" thread bearing surface is required.

Connecting the Pump Drum to the Storage Tank

With the storage tank in place and empty, attach the bottom fill tank valve assembly to the inlet port of the storage tank. Use a good quality Teflon® base pipe dope when making this connection as well as all threaded pipe connections during the assembly of the dispenser system.

WARNING

DO NOT USE EXCESSIVE AMOUNTS OF PIPE DOPE, WHICH MAY RESULT IN EXCESS PIPE DOPE ENTERING THE SYSTEM AND CAUSING BLOCKAGE OF VALVES OR OTHER FUNCTIONING COMPONENTS.

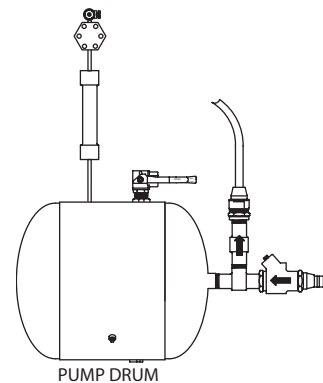


The storage tank valve assembly should now be attached to the outlet port of the storage tank. The bottom fill valve is used for the 120 ounce dispenser and air entraining admix only. This will prevent the mixing of air entraining admixes with other types of admixes. As with the bottom fill valve, be sure to use a good quality pipe Teflon based dope.

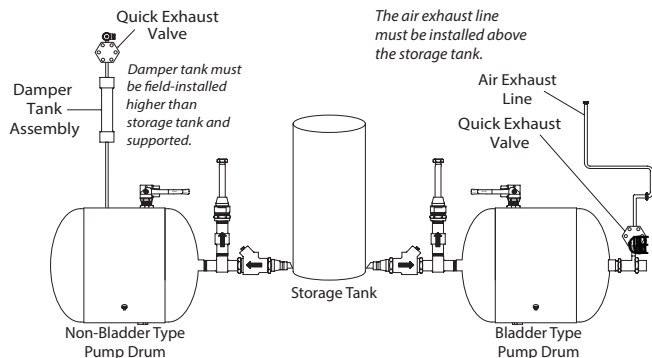
With both valves attached to the storage tank, be sure that the valves are in the CLOSED position to prevent any dirt from entering the storage tank before it has been filled. The CLOSED position will also prevent accidental dumping of the admix from the storage tank through the tank gate valve. Both valves should be supported to relieve the weight and stress caused by the other plumbing fixtures.

After the tank valve assembly has been attached to the storage tank, position the pump drum as close to the storage tank as possible. Using a small section of 1" black rubber hose and hose clamps supplied with the dispenser, connect the pump drum valve assembly to the hose fitting on the storage tank valve assembly.

If you are using a pump drum with a damper tank, attach the damper tank at this time. Using the 3 foot sections of stand pipe supplied with the pump drum assembly, attach the damper tank to the top of the pump drum.

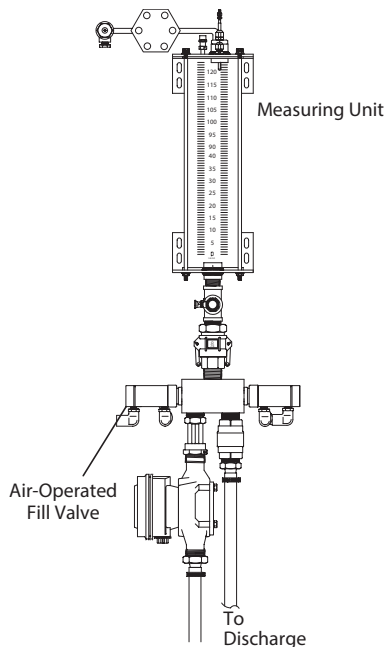


Mount the damper tank at a height that is higher than the top of the storage tank to prevent the admix from back flowing through the damper tank. Also, the damper tank should be supported to prevent it from tipping the pump drum over and spilling the admix.



Connecting Pump Drum to the Measuring Unit

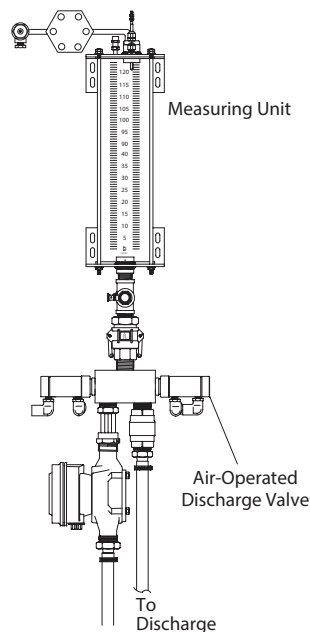
To connect the pump drum to the measuring unit, attach 3/4" or 1" rubber hose to the spring-loaded check valve on the pump drum to the bottom fill valve of the measuring unit. Use a 3/4" valve for the 120...600 ounce dispensers or a 1" valve for the 950...1900 ounce dispensers.



Black rubber hose in 3/4" and 1" sizes is available in multiples of 50 foot lengths from Badger Meter® for an additional cost.

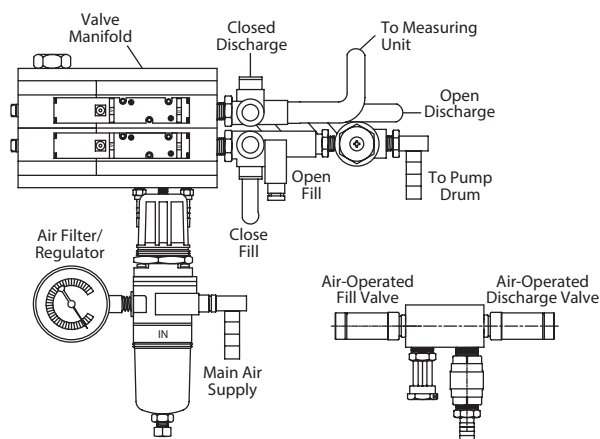
Connecting the Discharge Line to the Measuring Unit

The air-operated top discharge valve is attached to the measuring unit at the factory.



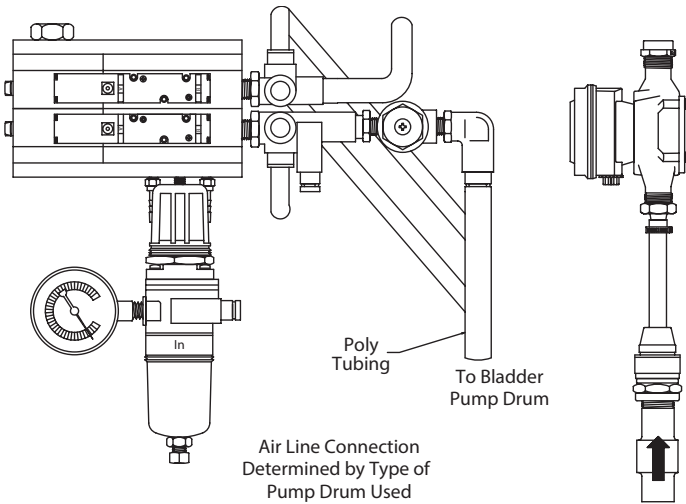
Using the clamps supplied with the dispenser, connect a 3/4" hose for 120...600 ounce dispensers or a 1" hose for the 950...1900 ounce dispensers to the hose fitting on the discharge valve. The hose should be long enough to reach the discharge point of the admix. Black rubber hose in 3/4" and 1" sizes is available in multiples of 50 foot lengths from Badger Meter for an additional cost.

If the discharge line is connected to the water line, use a spring-loaded check valve in the discharge line to prevent water from entering the measuring unit.



Air Line Connections

Connect the air supply line to the pump drum. Run 3/8" poly tubing from the 3/8" poly tubing union on the solenoid assembly to the air supply port of the pressure head assembly on the damper tank or pump drum, depending on which type of pump drum you are using.



The air used to operate the dispenser cannot be lubricated air, which will coat the valves and measuring unit.

When using the bladder type pump drum, run a bleed line from the quick exhaust valve to a level higher than the top of the storage tank to prevent any leaks that may occur in the bladder from draining through the quick exhaust valve.

Before using the bladder type pump drum, be certain to bleed the air from the tank. Failure to do so will cause the pump to be inactive. Bleed air from the tank whenever it has been completely run dry.

Wiring the AC-151 Control

Complete wiring instructions for the AC-151 Control are included in the manual shipped with your dispenser.

DISPENSER STARTUP

The dispenser installation is now complete. To check for fluid or air leaks, fill the dispenser with admix using the AC-151 control as described in the manual. Operate the AC-151 control in the MANUAL mode or activate the DISCHARGE HOLD feature for the first few dispensing cycles. This will allow sufficient time between the fill and discharge cycles to check the dispensing fittings for air or liquid leaks. Repair any leaks before operating the dispenser in production. If there are no leaks, proceed to the discharge cycle. The procedure should be repeated at least 3 times.

At the end of the discharge cycle, the material level in the measuring unit should be at the zero point of the graduated measuring strip. If it is not, adjust the zero point setting. To do this, loosen the locknut at the top of the zero probe, move up or down as required. When the proper setting has been achieved, tighten the zero probe lock nut.

OPERATION

To operate the semi-automatic dispensing system, refer to the manual shipped with your dispenser.

OPTIONAL VALVES

Air-Operated Globe Valves (AGV-100) are available as an option for this system.

Control. Manage. Optimize.

Trademarks appearing in this document are the property of their respective entities. Due to continuous research, product improvements and enhancements, Badger Meter reserves the right to change product or system specifications without notice, except to the extent an outstanding contractual obligation exists. © 2014 Badger Meter, Inc. All rights reserved.

www.badgermeter.com

The Americas | Badger Meter | 4545 West Brown Deer Rd | PO Box 245036 | Milwaukee, WI 53224-9536 | 800-876-3837 | 414-355-0400
México | Badger Meter de las Americas, S.A. de C.V. | Pedro Luis Ogazón N°32 | Esq. Angelina N°24 | Colonia Guadalupe Inn | CP 01050 | México, DF | México | +52-55-5662-0882
Europe, Middle East and Africa | Badger Meter Europa GmbH | Nurtlinger Str 76 | 72639 Neuffen | Germany | +49-7025-9208-0
Europe, Middle East Branch Office | Badger Meter Europe | PO Box 341442 | Dubai Silicon Oasis, Head Quarter Building, Wing C, Office #C209 | Dubai / UAE | +971-4-371 2503
Czech Republic | Badger Meter Czech Republic s.r.o. | Mafikova 2082/26 | 621 00 Brno, Czech Republic | +420-5-41420411
Slovakia | Badger Meter Slovakia s.r.o. | Racienska 109/B | 831 02 Bratislava, Slovakia | +421-2-44 63 83 01
Asia Pacific | Badger Meter | 80 Marine Parade Rd | 21-06 Parkway Parade | Singapore 449269 | +65-63464836
China | Badger Meter | 7-1202 | 99 Hangzhong Road | Minhang District | Shanghai | China 201101 | +86-21-5763 5412

Legacy Document Numbers: IOM-091-01