

### DESCRIPTION

The second generation Electronic Preset meter is designed specifically to meter and dispense bulk fluids for servicing automobiles, trucks, buses, construction equipment, and similar applications. The meter is lightweight, rugged and has a comfortable grip. The meter is designed to dispense antifreeze (Ethylene glycol) solution, windshield wiper solution and brake fluid. This meter is not designed to dispense petroleum-based products.

The meter has a superior rugged, shock-resistant design for demanding environments.

### OPERATION

The meter is programmed to dispense in quarts, liters, pints, and US gallons. You can program any batch size in a matter of seconds. A 5-digit liquid crystal display, accurate to the second decimal point, shows the exact amount of fluid dispensed.

The meter uses four replaceable AA batteries and is calibrated at the factory. The meter can also be recalibrated easily in the field for a fluid of different viscosity.

Electronic accuracy will help you save time and money. The preset feature will allow users to perform other service tasks while fluid is dispensed.

### APPLICATIONS

- Fleet maintenance shops
- Industrial assembly
- Quick lube facilities
- Dealerships
- Construction and mining equipment
- General automotive service centers
- Specialty service and repair shops

### BENEFITS

- Oval gear driven meter
- Durable
- Lightweight
- Large, easy-to-read LCD display
- Ease of operation



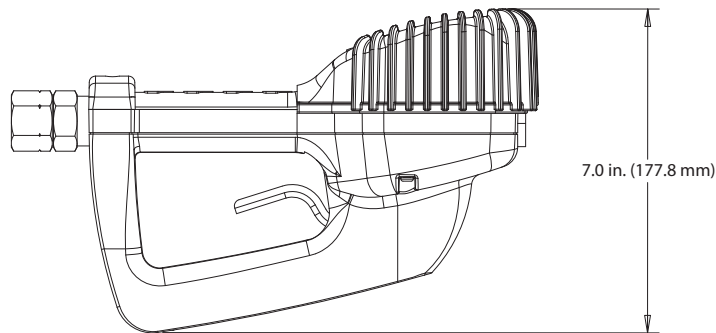
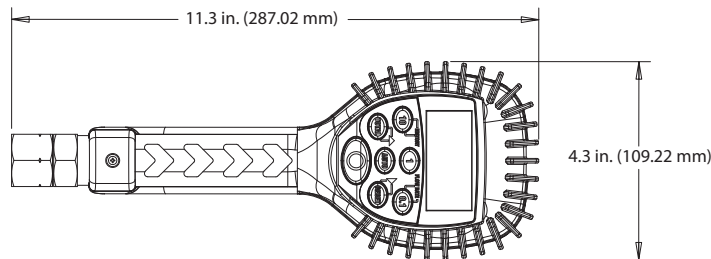
### FEATURES

- Totalization in liters and US gallons
- Dispensing measurement in liters, quarts, pints, US gallons
- Max. Totalizer number: 99,999 US gallons or liters
- Max. Dispense volume: 99,999 units
- Max. Preset volume: 99.9 units
- Calibration factor for different fluids
- Changeable units of measure
- One programmable preset
- Total and resettable total
- Minimum 20,000 cycles on battery life
- Low battery indicator
- Low battery safety lock out feature
- Ability to save settings if power is interrupted
- Uses standard AA batteries
- In-line swivel is standard with all meters
- Engraving and/or labels available
- Automatic shutoff at preset amount
- Emergency electrical shutoff
- Precision control valve operation

## SPECIFICATIONS

<b>Maximum Flow (varies with fluid viscosity)</b>		10 gpm (38 lpm)
<b>Minimum Flow (varies with fluid viscosity)</b>		0.25 gpm (1 lpm)
<b>Operating Pressure (Maximum)</b>		600 psi (42 bar)
<b>Operating Pressure (Minimum)</b>		5 psi (0.35 bar)
<b>Operating Temperature (Maximum)</b>		120° F (50° C)
<b>Operating Temperature (Minimum)</b>		20° F (-5° C)
<b>Accuracy</b>	<b>Oils</b>	±0.5%
	<b>Antifreeze</b>	±1.5%
<b>5-Digit LCD Display</b>		Quarts, pints, US gallons, liters
<b>Inlet and Outlet Connections</b>		1/2" NPT (1/2" BSPP)

## DIMENSIONS



## Control. Manage. Optimize.

Trademarks appearing in this document are the property of their respective entities. Due to continuous research, product improvements and enhancements, Badger Meter reserves the right to change product or system specifications without notice, except to the extent an outstanding contractual obligation exists. © 2015 Badger Meter, Inc. All rights reserved.

[www.badgermeter.com](http://www.badgermeter.com)

The Americas | Badger Meter | 4545 West Brown Deer Rd | PO Box 245036 | Milwaukee, WI 53224-9536 | 800-876-3837 | 414-355-0400  
 México | Badger Meter de las Americas, S.A. de C.V. | Pedro Luis Ogazón N°32 | Esq. Angelina N°24 | Colonia Guadalupe Inn | CP 01050 | México, DF | México | +52-55-5662-0882  
 Europe, Middle East and Africa | Badger Meter Europa GmbH | Nurtlinger Str 76 | 72639 Neuffen | Germany | +49-7025-9208-0  
 Europe, Middle East Branch Office | Badger Meter Europe | PO Box 341442 | Dubai Silicon Oasis, Head Quarter Building, Wing C, Office #C209 | Dubai / UAE | +971-4-371 2503  
 Czech Republic | Badger Meter Czech Republic s.r.o. | Mařikova 2082/26 | 621 00 Brno, Czech Republic | +420-5-41420411  
 Slovakia | Badger Meter Slovakia s.r.o. | Racianska 109/B | 831 02 Bratislava, Slovakia | +421-2-44 63 83 01  
 Asia Pacific | Badger Meter | 80 Marine Parade Rd | 21-06 Parkway Parade | Singapore 449269 | +65-63464836  
 China | Badger Meter | 7-1202 | 99 Hangzhong Road | Minhang District | Shanghai | China 201101 | +86-21-5763 5412