

# Safe Use Instructions: Emerson FB2200 Flow Computer



UK	Safe Use Instructions
DE	Anleitung zur sicheren Verwendung
FR	Consignes de sécurité
PT	Instruções para uso seguro
SC	安全使用说明
IT	Istruzioni per l'uso sicuro
NL	Instructies voor veilig gebruik
SP	Instrucciones para un uso seguro

**Safe Use Instructions – Emerson FB2200**

Part D301801X012

September 2018

---

# Emerson FB2200 Flow Computer

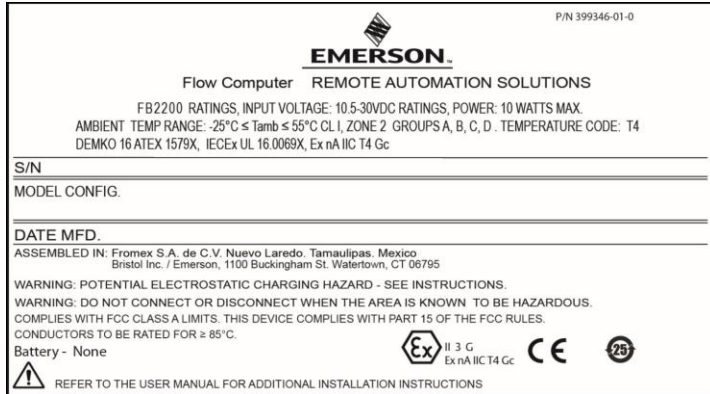


Figure 1. Emerson FB2200 Label  
(Non-sparking with Integral Sensor)

Use this safe use instructions (SUI) document with the *Emerson FB2200 Flow Computer Instruction Manual* (part D301784X012). For full cautions and descriptions of installation and troubleshooting procedures, refer to this manual. If you require training for this product, contact your local sales office.

The Emerson FB2200 Flow Computer (or “FB2200”) with ATEX approval may be ordered with any of the optional communications or I/O modules listed in the product data sheet *Emerson FB2200 Flow Computer* (part D301792X012).

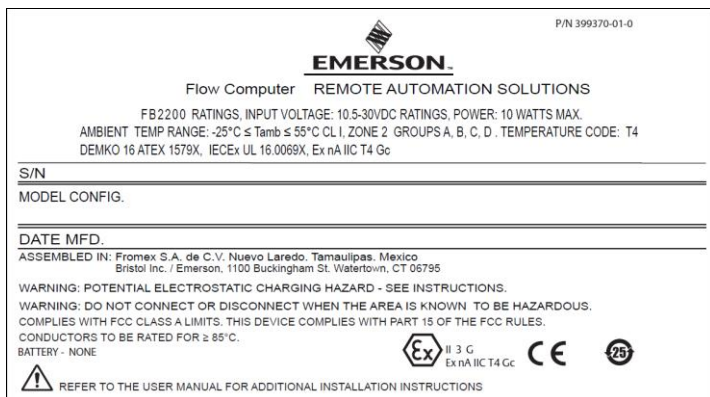


Figure 2. Emerson FB2200 Label  
(Non-sparking without Integral Sensor)

## Declaration of Conformity

Hereby, Remote Automation Solutions declares that the Emerson FB2200 Flow Computers are in compliance with the essential requirements and other relevant provisions of European Directives 2014/30/EU (EMC), and 2014/34/EU (ATEX).

## Specific Conditions of Use

- Use equipment in an area of not more than pollution degree 2.
- Make provisions to ensure, in the event of transient disturbances, that the rated voltage does not exceed 140% of the peak rated voltage.
- Lead acid battery and solar power options are not for use in ATEX applications.
- Impact tests on the display were conducted based on Group II values for the low risk of mechanical danger, in accordance with Table 13 of both EN 60079-0:2012+A11:2013 and IEC 60079-0 6<sup>th</sup> Edition. Install flow computers with displays in areas where the risk of impact is low.
- In Zone 2 installations, ensure that the flow computer is installed and used to prevent the danger of electrostatic charges.
- The FB2200 enclosure requires a tool to open. Refer to the *Physical Security* section in *Chapter 1* of the *Emerson FB2200 Flow Computer Instruction Manual* (part D301784X012) for further details.
- Refer to *Table 1* for replacement parts.

Table 1. Replacement Parts

Replacement Part	Kit Number	Field Replacement Guide document number
8-Channel Expansion I/O Board	400217010-KIT	D301804X012
6-Channel Expansion I/O Board	400215010-KIT	D301803X012
HMI Module Display Assembly	399379-01-0, 621627011-KIT, 399380-01-0, 621627020-KIT	D301822X012
I/O Termination Board	400210010-KIT, 358807010-KIT	D301805X012
CPU Enclosure and Electronics	621673-01-0, 621674-01-0, 621675-01-0, 621676-01-0, 621678-01-0, 400209010-KIT, 399260-01-0, 399264-01-0, 400211010-KIT	D301803X012
Sensor	Variable Kit Number	D301843X012
Door Accessories	399291-01-0, 399267-01-0, 399266-01-0, 621661010-KIT, 399394-00-0	D301825X012
Relay	395828-01-0	D301847X012
Coin Cell Battery	395620-03-1	D301855X012

## Specifications

### POWER

Operating Range: 10.5 Vdc to 30 Vdc (10W max power)

### ENCLOSURE

#### Housing:

Powder-coat aluminum, with lockable door

Compression-molded fiberglass, with lockable door

### ENVIRONMENTAL

#### Operating Temperature:

Non-sparking (Ex nA): -25°C to +55°C.

**Storage Temp.:** -40°C to +85°C.

**Operating Humidity:** 5-95% non-condensing per IEC 60068-2-3.

### WEIGHT

6.94 kg (15.3 lbs) (fiberglass enclosure)

10.75 kg (23.7 lbs) (aluminum enclosure)

### APPROVALS

#### Evaluated to the following European Standards (EMC):

EN 61326-1:2013 (Emissions)

EN 61326-2-3:2013 (Immunity)

#### Immunity

EN 61000-4-2 (Electro Static Discharge)

EN 61000-4-3 (Radiated Immunity)

EN 61000-4-4 (Fast Transients)

EN 61000-4-5 (Surges)

EN 61000-4-6 (Conducted RF)

EN 61000-4-8 (Power Frequency Magnetic Field)

EN 61000-4-17 (Voltage Ripple)

EN 61000-4-29 (Voltage Dips and Interruptions)

#### Evaluated to the following Approval Standards:

Directive 2014/34/EU

EN 60079-0:2012+A11:2013

EN 60079-15:2010

#### Evaluated to the following Standards (IEC):

IEC 60079-0 (2011), 6<sup>th</sup> Edition

IEC 60079-15 (2010), 4<sup>th</sup> Edition

#### Product Markings for Hazardous Locations:

Ex nA IIC T4 Gc (-25°C ≤ T<sub>amb</sub> ≤ +55°C),



Cert. No. DEMKO 16 ATEX 1579X

## ⚠ DANGER

When installing units in a hazardous area, make sure all installation components selected are labeled for use in such areas. Installation and maintenance must be performed only when the area is known to be non-hazardous. Installation or maintenance in a hazardous area could result in personal injury or property damage.

Always turn off the power to the FB2200 before you attempt any type of wiring. Wiring of powered equipment could result in personal injury or property damage.

To avoid circuit damage when working inside the unit, use appropriate electrostatic discharge precautions, such as wearing a grounded wrist strap.

Check the input power polarity before connecting power to the FB2200. Wiring of powered equipment could result in personal injury or property damage.

The following tools are required for installation, maintenance, and troubleshooting:

- Personal computer running Microsoft® Windows® 7 Professional or Windows 8.1 Pro, or Windows 10 Pro and Emerson Field Tools configuration software (providing FBxConnect™).
- #1 and #2 Phillips (cross-head) screwdriver.
- 3 mm (1/8-inch) flat-head screwdriver.

## Unpacking

You receive the FB2200 in a box. Remove it from the box. Examine the packing list carefully to ensure you have all components.

## Installation

1. Find a suitable location for the FB2200. When selecting an installation site, be sure to check all clearances. The FB2200 housing is designed to withstand a variety of inclement conditions. The optional LCD should be visible and accessible for the on-site operator.

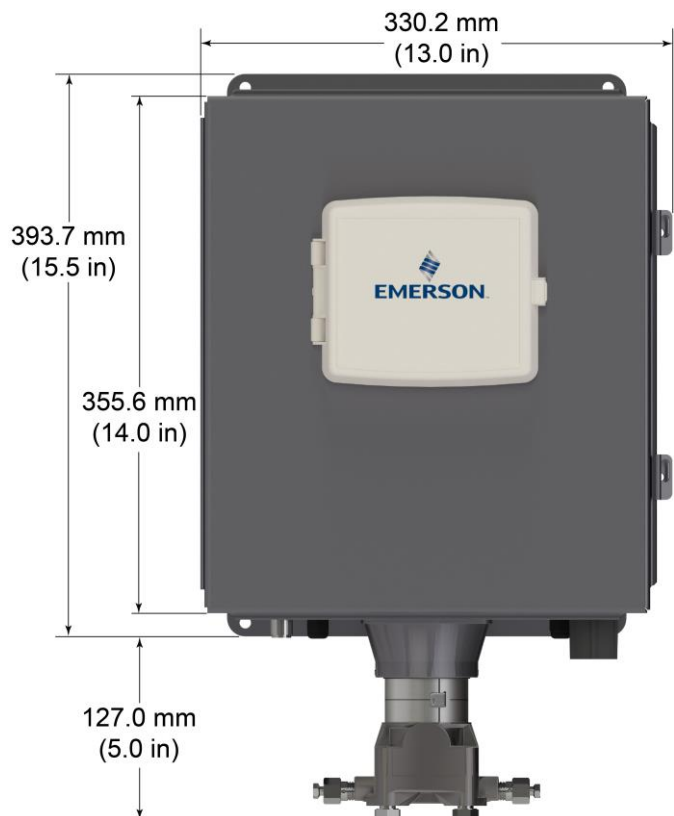


Figure 3. Front View of the FB2200 (Aluminum Enclosure) (with optional integral MVS sensor)

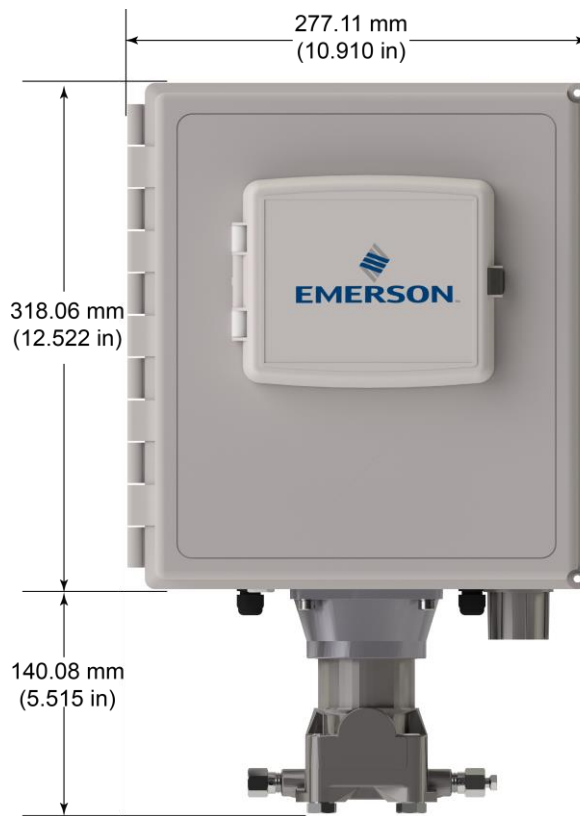


Figure 5. Front View of the FB2200 (Fiberglass Enclosure) (with optional integral MVS sensor)

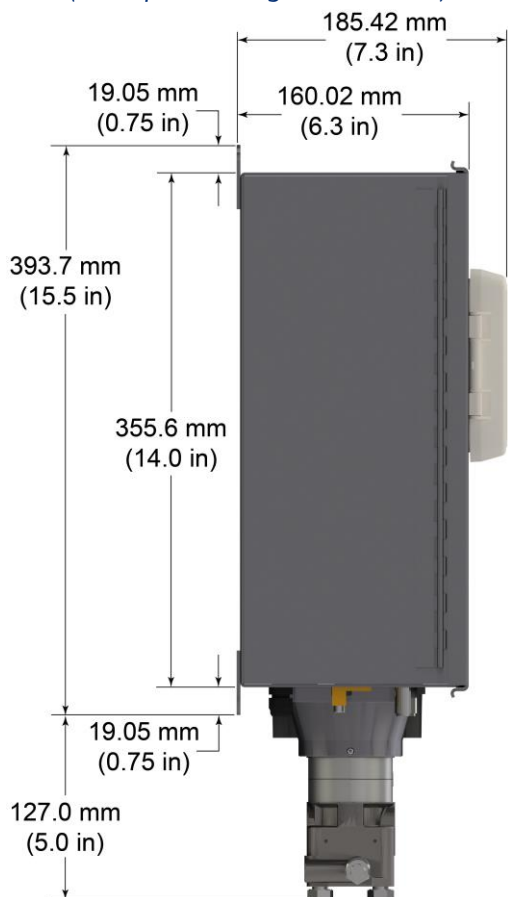


Figure 4. Side View of the FB2200 (Aluminum Enclosure) (with optional integral MVS sensor)

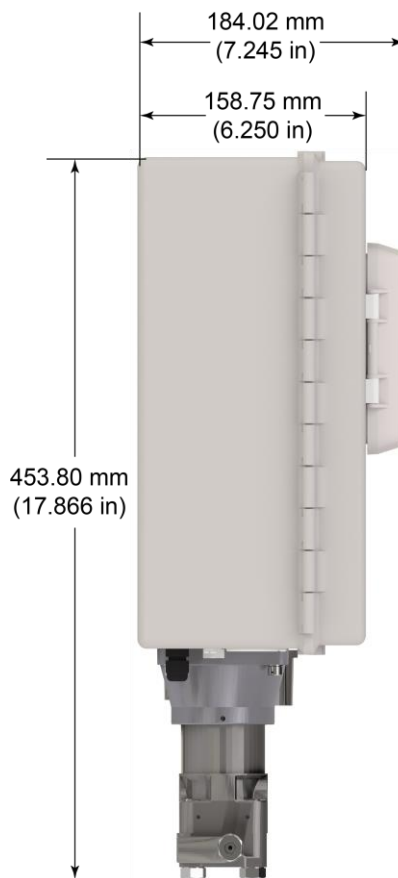


Figure 6. Side View of the FB2200 (Fiberglass Enclosure) (with optional integral MVS sensor)

- The FB2200 mounts on a two-inch pipe or pole (see [Figure 7](#)) or can be wall- or panel-mounted using the four holes in the case and suitable attachments.

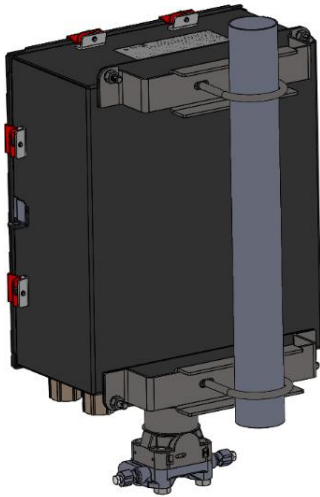


Figure 7. FB2200 (Aluminum Enclosure) on Pipe Mount

## Grounding

Open the front door of the FB2200 as detailed in either *Chapter 2* of the *Emerson FB2200 Flow Computer Instruction Manual* (part D301784X012) or in the *Emerson FB2200 Flow Computer Quick Start Guide* (part D301788X012).

If your company has no specific grounding requirements, install the FB2200 as a “floating” (unconnected to ground) system using the ground lug and routing the ground wire through one of the conduit fittings. Otherwise, follow your company’s specific grounding practices. However, if you are making a connection between a grounded device and an EIA-232 (RS-232) port, **ground** the FB2200’s power supply.

If you must ground the equipment, observe the following guidelines:

- When the equipment uses a DC voltage source, the grounding system must terminate at the service disconnect. All equipment grounding conductors—including wire or conduit carrying the power supply conductors—must provide an uninterrupted electrical path to the service disconnect.
- Improper grounding or poor grounding practices can often cause problems, such as introducing ground loops into the system. Properly grounding the FB2200 helps to reduce the effects of electrical noise on the unit’s operation and protects against lightning. Install a surge protection device at the service disconnect on DC voltage source systems to protect the installed equipment against lightning and power surges.
- Ensure that the flow computer’s ground is separate from the cathodic protection ground.

- The grounding installation method for the FB2200 depends on whether the pipeline has cathodic protection. On pipelines with cathodic protection, electrically isolate the FB2200 from the pipeline. All earth grounds must have an earth-to-ground rod or grid impedance of 25 ohms or less, as measured with a ground system tester.

## Wiring to Power

Wire the FB2200 through the conduit fittings on the bottom of the housing. The terminal blocks accept wiring 2mm in diameter/3mm<sup>2</sup> or smaller. To connect the wire to the removable block compression terminals:

- Bare the end (6mm maximum) of the wire.
- Insert the bared end of the wire into the clamp beneath the termination screw.
- Tighten the screw.

Expose a minimum of bare wire to prevent short circuits. Allow some slack when making connections to prevent strain.

Connect the power wiring. Review the power wiring descriptions in *Chapter 2* of the *Emerson FB2200 Flow Computer Instruction Manual* (part D301784X012).

### Verify the hook-up polarity is correct.

To make DC power supply connections:

- Remove the terminal block connector from the socket.
- Insert each bare wire end into its appropriate connector and secure the wire (see [Figures 7](#) and [8](#)).
- Plug the terminal block connector back into the socket.

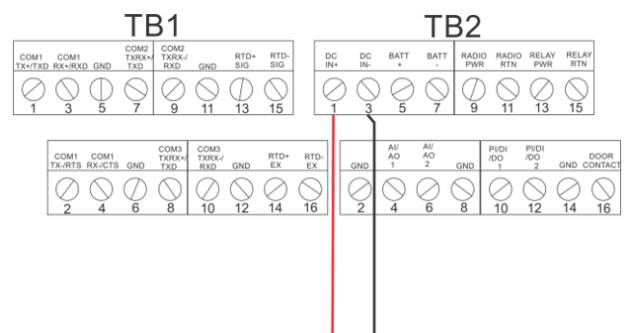


Figure 8. Wiring to DC Power Supply

Refer to the *Emerson FB2200 Flow Computer Quick Start Guide* (part D301788X012) for detailed instructions on connecting the battery.

## Wiring to Communications & I/O

Connect the wiring to the terminal blocks on the I/O and communications modules. Refer to either *Section 2.8* in *Chapter 2* of the *Emerson FB2200 Flow Computer*

*Instruction Manual* (part D301784X012) or the *Emerson FB2200 Flow Computer Quick Start Guide* (part D301788X012) for wiring schematics and explanations.

Once you have wired the communications and I/O, close and secure the cover of FB2200.

## Powering Up the FB2200

### DANGER

Do not attempt to connect power or disconnect power from the unit in a hazardous area. Ensure the area is non-hazardous. Failure to do so could result in an explosion.

1. To start up the FB2200, apply power.

When you turn power on, the backlight on the HMI module lights for about 5 seconds, then turns off. During this time the database begins to initialize. After about 45 seconds the backlight on the HMI turns on again and starts to display live data.

Periodically inspect the wiring for signs of deterioration.

## Configuring the FB2200

You must install Emerson's Field Tools configuration software (which includes FBxConnect™) on your PC to configure the FB2200 for use. Refer to the *Emerson FB2200 Flow Computer Quick Start Guide* (part D301788X012) for instructions on installing and using this software.

## Resetting the FB2200

If you are experiencing problems that appear to be software related, try resetting the FB2200. Refer to the *Service and Troubleshooting* chapter in the *Emerson FB220 Flow Computer Instruction Manual* (part D301784X012) for specific instructions.

**Note:** You lose all configuration and log data with a reset. If possible, make a backup of configuration and log data **before** attempting any type of reset.

## Replacing Parts in the FB2200

Refer to *Table 1* for a list of user-serviceable parts and their respective Field Replacement Guides.

## Returning the FB2200

If you are experiencing problems that appear to be hardware-related, verify the wiring. If you still experience problems, contact your local sales office for return authorization. To return the device:

1. Back up all configuration and data before removing the device from process. Then remove power from the device and remove all external wiring.
2. Uninstall the device.
3. Place the device into a box safe for shipping or storage.

For customer service and technical support, visit [www.Emerson.com/SupportNet](http://www.Emerson.com/SupportNet).

**Global Headquarters,**

**North America, and Latin America:**

Emerson Automation Solutions  
Remote Automation Solutions  
6005 Rogerdale Road  
Houston, TX 77072 U.S.A.  
T +1 281 879 2699 | F +1 281 988 4445  
[www.Emerson.com/RemoteAutomation](http://www.Emerson.com/RemoteAutomation)

**Europe:**

Emerson Automation Solutions  
Remote Automation Solutions  
Unit 8, Waterfront Business Park  
Dudley Road, Brierley Hill  
Dudley DY5 1LX UK  
T +44 1384 487200 | F +44 1384 487258

**Middle East/Africa:**

Emerson Automation Solutions  
Remote Automation Solutions  
Emerson FZE  
P.O. Box 17033  
Jebel Ali Free Zone – South 2  
Dubai U.A.E.  
T +971 4 8118100 | F +971 4 8865465

**Asia-Pacific:**

Emerson Automation Solutions  
Remote Automation Solutions  
1 Pandan Crescent  
Singapore 128461  
T +65 6777 8211 | F +65 6777 0947

© 2017-2018 Remote Automation Solutions, a business unit of Emerson Automation Solutions. All rights reserved.

This publication is for informational purposes only. While every effort has been made to ensure accuracy, this publication shall not be read to include any warranty or guarantee, express or implied, including as regards the products or services described or their use or applicability. Remote Automation Solutions (RAS) reserves the right to modify or improve the designs or specifications of its products at any time without notice. All sales are governed by RAS terms and conditions which are available upon request. RAS accepts no responsibility for proper selection, use or maintenance of any product, which remains solely with the purchaser and/or end-user.



# Emerson FB2200 Flow Computer

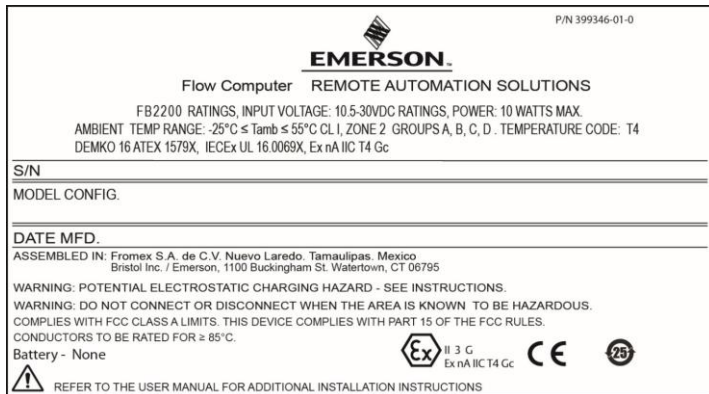


Abbildung 1. Emerson FB2200 Typenschild  
 (funkenfrei mit integriertem Sensor)

Diese Anleitung zur sicheren Verwendung ergänzt die Betriebsanleitung für den Emerson FB2200 Flow Computer (Dok.-Nr. D301784X012). In diesem Handbuch finden Sie ausführliche Warnungen, eine Installationsanleitung und Verfahren zur Problemlösung. Sollten Sie für dieses Produkt eine Schulung benötigen, wenden Sie sich bitte an Ihr örtliches Vertriebsbüro.

Der Emerson FB2200 Flow Computer (oder „FB2200“) mit ATEX-Zulassung kann mit einem der optionalen Kommunikations- oder E/A-Module bestellt werden, die auf dem Produktdatenblatt des Emerson FB2200 Flow Computers (Dok.-Nr. D301792X012) aufgeführt sind.

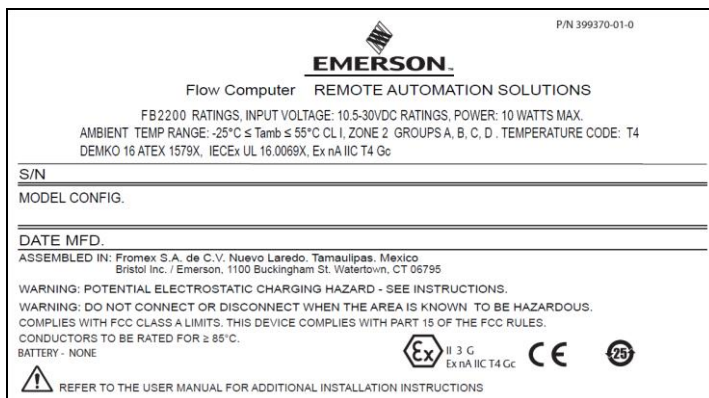


Abbildung 2. Emerson FB2200 Typenschild  
 (funkenfrei mit integriertem Sensor)

## Konformitätserklärung

Remote Automation Solutions erklärt hiermit, dass die Emerson FB2200 Flow Computer den grundlegenden Anforderungen und anderen relevanten Vorschriften der EU-Richtlinien 2014/30/EU (EMV) und 2014/34/EU (ATEX) entsprechen.

## Spezielle Voraussetzungen für die Verwendung

- Bringen Sie das Gerät in einem Bereich mit einem Verschmutzungsgrad von höchstens 2 zum Einsatz.

Remote Automation Solutions

- Treffen Sie Vorbereitungen, damit die Nennspannung im Falle einer kurzzeitigen Störung 140 % der Spitzennennspannung nicht überschreitet.
- Bleisäurebatterien und Solarenergieoptionen sind nicht für ATEX-Anwendungen bestimmt.
- In Übereinstimmung mit Tabelle 13 aus EN 60079-0:2012+A11:2013 und IEC 60079-0, 6. Ausgabe, wurden basierend auf Gruppe-II-Werten für geringes Risiko mechanischer Gefährdung Schlagprüfungen auf dem Display durchgeführt. Bringen Sie Durchflusscomputer so an, dass die Displays einem geringen Schlagrisiko ausgesetzt sind.
- Stellen Sie bei Zone-2-Installationen sicher, dass der Durchflusscomputer installiert ist und verwendet wird, um die Gefahr elektrostatischer Aufladung zu vermeiden.
- Das FB2200-Gehäuse kann muss mit einem Werkzeug geöffnet werden. Weitere Informationen können Sie dem Abschnitt „Physische Sicherheit“ in Kapitel 1 der Bedienungsanleitung für den Emerson-Durchflusscomputer FB2200 (Teil D301784X012) entnehmen.
- Für Ersatzteile siehe [Tabelle 1](#).

Tabelle 1. Ersatzteile

Ersatzteil	Kit Number	Feldersatzanleitung-Dokumentnummer
8-Kanal-Erweiterungs-E/A-Platine	400217010-KIT	D301804X012
6-Kanal-Erweiterungs-E/A-Platine	400215010-KIT	D301803X012
HMI-Modul-Bedieninterface	399379-01-0, 621627011-KIT, 399380-01-0, 621627020-KIT	D301822X012
E/A-Anschlussplatine	400210010-KIT, 358807010-KIT	D301805X012
CPU-Gehäuse und -Elektronik	621673-01-0, 621674-01-0, 621675-01-0, 621676-01-0, 621678-01-0, 400209010-KIT, 399260-01-0, 399264-01-0, 400211010-KIT	D301803X012
Sensor	Variablensatznummer	D301843X012
Türzubehör	399291-01-0, 399267-01-0, 399266-01-0, 621661010-KIT, 399394-00-0	D301825X012
Relais	395828-01-0	D301847X012
Knopfzellenbatterie	395620-03-1	D301855X012

## Technische Daten

### SPANNUNGSVERSORGUNG

Betriebsbereich: 10,5 VDC bis 30 VDC (10 W max. Strom)

### GEHÄUSE

#### Gehäuse:

Pulverbeschichtetes Aluminium, mit verriegelbarer Tür  
Spritzgeprägtes Fiberglas mit verriegelbarer Tür

### UMGEBUNGSBEDINGUNGEN

#### Betriebstemperatur:

funkkenfrei (Ex nA): -25 °C bis +55 °C.

#### Lagertemperatur:

-40 °C bis +85 °C.

#### Betriebluftfeuchtigkeit:

5 - 95 % nicht kondensierend

gemäß IEC 60068-2-3.

### GEWICHT

6,94 kg (15.3 lbs) (Fiberglasgehäuse)

10,75 kg (23.7 lbs) (Aluminiumgehäuse)

### ZULASSUNGEN

#### Bewertet gemäß folgenden europäischen Normen (EMC):

EN 61326-1:2013 (Emissionen)

EN 61326-2-3:2013 (Immunität)

#### Immunität

EN 61000-4-2 (elektrostatische Entladung)

EN 61000-4-3 (Störstrahlungsimmunität)

EN 61000-4-4 (Schnelle Transienten)

EN 61000-4-5 (Stoßspannungen)

EN 61000-4-6 (Geleitete RF)

EN 61000-4-8 (Magnetfeld bei Nennfrequenz)

EN 61000-4-17 (Spannungswelligkeit)

EN 61000-4-29 (Spannungseinbrüche und Unterbrechungen)

#### Bewertet gemäß den folgenden Zulassungsstandards:

Richtlinie 2014/34/EU

EN 60079-0:2012+A11:2013

EN 60079-15:2010

#### Bewertet gemäß den folgenden Standards (IEC):

IEC 60079-0 (2011), 6. Ausgabe

IEC 60079-15 (2010), 4. Ausgabe

#### Produktkennzeichnungen für Gefahrenbereiche:

Ex d IIC T4 Gc (-25 °C ≤ T<sub>amb</sub> ≤ +55 °C)



Zert. Nr. DEMKO 16 ATEX 1579X

## GEFAHR

Wenn Geräte in einem explosionsgefährdeten Bereich installiert werden, muss darauf geachtet werden, dass alle ausgewählten Installationskomponenten für den Einsatz in solchen Bereichen zugelassen sind. Installations- und Wartungsarbeiten dürfen nur dann durchgeführt werden, wenn der Arbeitsbereich nicht in einem Ex-Bereich liegt. Installations- und Wartungsarbeiten in einem Ex-Bereich können zu Personen- und/oder Sachschäden führen.

Vor der Verkabelung des Gerätes stets die Spannungsversorgung vom FB2200 trennen. Die Verkabelung eines mit Spannung versorgten Gerätes kann zu Personen- und/oder Sachschäden führen.

Um elektrische Schäden bei Arbeiten im Geräteinneren zu vermeiden, müssen die erforderlichen Vorsichtsmaßnahmen zur Vermeidung elektrostatischer Entladungen eingehalten werden, zum Beispiel durch das Tragen eines Antistatikbands.

Vor dem Einschalten der Spannungsversorgung des FB2200 die Polarität des Eingangstroms prüfen. Die Verkabelung eines mit Spannung versorgten Gerätes kann zu Personen- und/oder Sachschäden führen.

Für Installation, Wartung sowie Störungsanalyse und -beseitigung sind die folgenden Hilfsmittel bzw. Werkzeuge erforderlich:

- PC mit Microsoft® Windows® 7 Professional, Windows 8.1 Pro oder Windows 10 Pro und der Emerson Field Tools Konfigurationssoftware (mit FBxConnect™)
- Kreuzschlitzschraubendreher Nr. 1 und Nr. 2.
- Schlitzschraubendreher 3 mm (1/8 in).

### Auspacken

Der FB2200 wird in einem Karton geliefert. Nehmen Sie das Gerät aus dem Karton. Prüfen Sie die Packliste sorgfältig, um sicherzustellen, dass Sie alle Komponenten zur Hand haben.

### Einbau

1. Einen geeigneten Standort für den FB2200 wählen. Bei der Auswahl eines Einbauortes alle Abstände prüfen. Das Gehäuse des FB2200 widersteht einer Reihe von rauen Bedingungen. Die optionale LCD-Anzeige sollte für den Bediener vor Ort sichtbar und zugänglich sein.



Abbildung 3. Frontansicht des FB2200 (Aluminiumgehäuse)  
 (mit optionalem integralen MVS-Sensor)

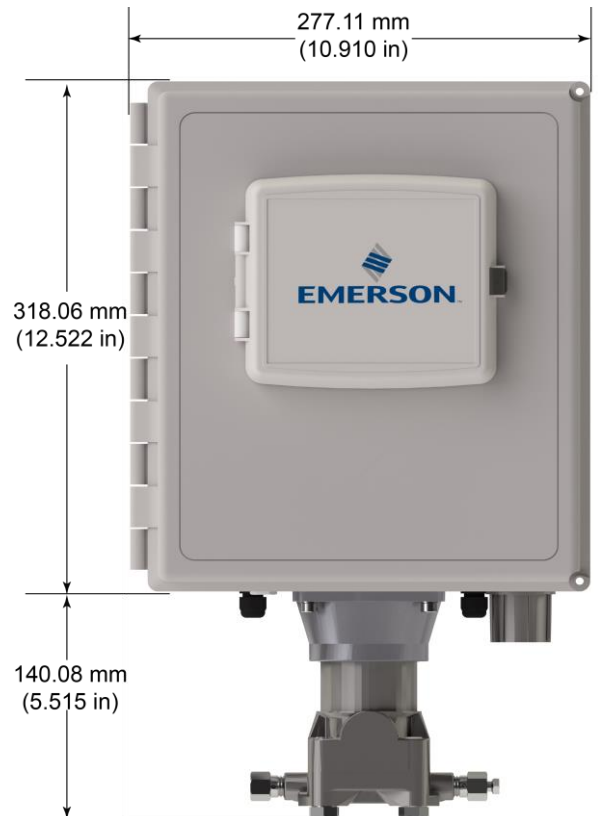


Abbildung 5. Frontansicht des FB2200 (Fiberglasgehäuse)  
 (mit optionalem integralen MVS-Sensor)

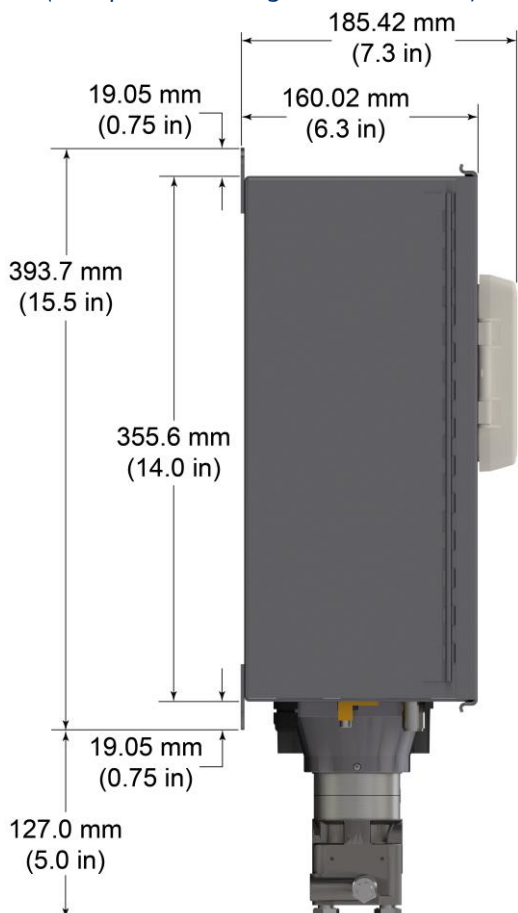


Abbildung 4. Seitenansicht des FB2200 (Aluminiumgehäuse)  
 (mit optionalem integralen MVS-Sensor)

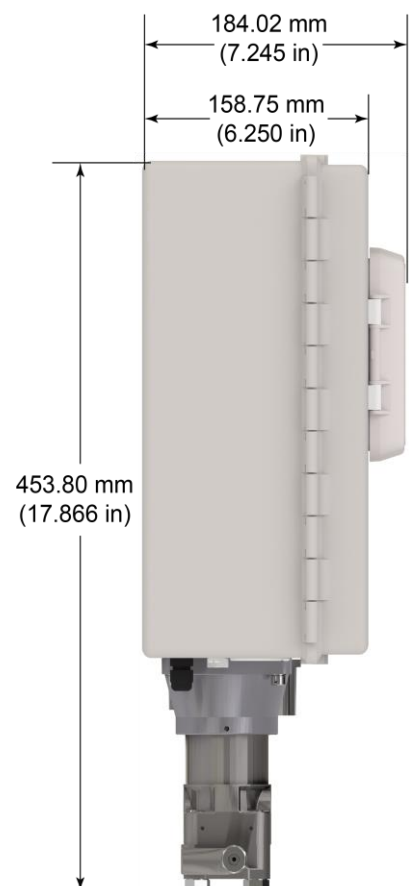


Abbildung 6. Seitenansicht des FB2200 (Fiberglasgehäuse)  
 (mit optionalem integralen MVS-Sensor)

- Der FB2200 wird an einer Rohrleitung oder an einem Pfosten mit einem Durchmesser von zwei Zoll montiert (siehe *Abbildung 7*) oder er kann an den vier Bohrungen im Gehäuse und den geeigneten Befestigungselementen an der Wand oder an einer Konsole befestigt werden.

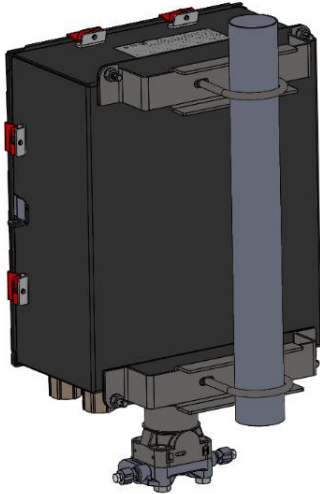


Abbildung 7. FB2200 (Aluminiumgehäuse) am Rohr montiert

### Erdung

Die vordere Tür des FB2200 gemäß entweder *Kapitel 2 der Bedienungsanleitung für den Emerson FB2200 Flow Computer* (Dok.-Nr. D301784X012) oder der *Kurzanleitung für den Emerson FB2200 Flow Computer* (Dok.-Nr. D301788X012) entfernen.

Wenn es in Ihrem Unternehmen keine speziellen Erdungsvorschriften gibt, installieren Sie den FB2200 als ein „potentialfreies“ (ungeerdetes) System mittels des Erdungsanschlusses und führen Sie das Erdungskabel durch eine der Kabelverschraubungen. Andernfalls die speziellen Erdungsverfahren Ihres Unternehmens beachten. Wenn Sie eine Verbindung zwischen einem geerdeten Gerät und einem EIA-232 (RS-232)-Anschluss herstellen, müssen Sie die Spannungsversorgung des FB2200 **erden**.

Wenn das Gerät geerdet werden muss, sind die folgenden Richtlinien zu beachten:

- Wenn das Gerät mit einer Gleichspannungsquelle versorgt wird, muss die Erdung an der Spannungseinspeisung abgeschlossen werden. Alle Geräteerdungsleiter – einschließlich Kabel oder in Kabelrohr verlegte Spannungsversorgungsleiter – müssen einen ununterbrochenen elektrischen Pfad zur Spannungseinspeisung bilden.
- Unsachgemäße oder schlechte Erdung kann oft Probleme verursachen, wie z. B. Erdschleifen im System. Eine sachgemäße Erdung des FB2200 kann dazu beitragen, Einflüsse durch elektrisches Rauschen auf den Betrieb des Gerätes zu minimieren, und schützt vor

Überspannungen/Blitzschlag. Installieren Sie eine Überspannungsschutzvorrichtung am Betriebsunterbrecher in DC-Spannungsquellen-systemen, um die installierte Ausrüstung vor Blitzschlag und Stromstößen zu schützen.

- Stellen Sie sicher, dass die Erdung des Flow Computers vom kathodischen Schutz getrennt ist.
- Die Ausführung der Erdungsinstallation für den FB2200 hängt davon ab, ob die Rohrleitung über einen kathodischen Schutz verfügt. Bei Rohrleitungen mit kathodischem Schutz muss der FB2200 elektrisch von der Rohrleitung isoliert bleiben. Alle Schutzerdungen müssen eine Erdungsverbinding oder eine Netzimpedanz von 25 Ohm oder weniger aufweisen; die Messung ist mit einem Erdungstester vorzunehmen.

### Verkabelung der Spannungsversorgung

Den FB2200 durch die Leitungseinführungen an der Seite des Gehäuses verdrahten. Die Anschlussklemmenblöcke akzeptieren eine Verkabelung mit 2 mm Durchmesser/3 mm<sup>2</sup> oder kleiner. Anschluss der Leiter an die abnehmbare Klemmenleiste:

- Das Ende des Drahtes abisolieren (maximal 6 mm).
- Das abisolierte Ende des Drahtes in die Klemme unterhalb der Klemmschraube einführen.
- Die Schraube festziehen.

Lassen Sie so wenig blanke Kabelenden wie möglich offen, um Kurzschlüsse zu verhindern. Lassen Sie bei der Herstellung der Verbindungen etwas Spiel, um Spannungen zu vermeiden.

Verkabelung der Spannungsversorgung anschließen. Die Beschreibungen für die Verdrahtung der Spannungsversorgung in *Kapitel 2 der Bedienungsanleitung für den Emerson FB2200 Flow Computer* (Dok.-Nr. D301784X012) gründlich lesen.

### Anschluss auf richtige Polarität überprüfen.

Anschlüsse zur Gleichspannungsversorgung herstellen:

- Den Stecker des Anschlussklemmenblocks von der Steckdose trennen.
- Jedes blanke Kabelende in den entsprechenden Anschluss einführen und sichern (siehe *Abbildung 8*).
- Den Stecker des Anschlussklemmenblocks wieder in die Steckerleiste einsetzen.

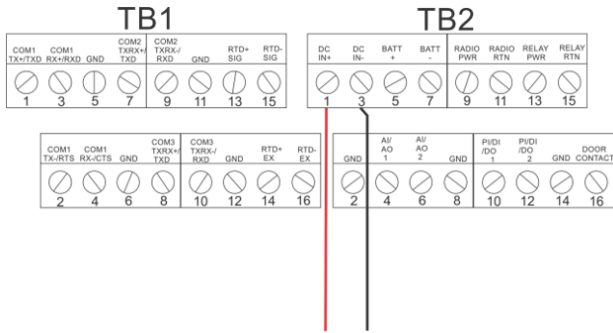


Abbildung 8. Verkabelung zur DC-Spannungsversorgung

Detaillierte Anweisungen zum Anschließen der Batterie finden Sie in der *Kurzanleitung für den Emerson FB2200 Flow Computer* (Dok.-Nr. D301788X012).

## Verkabelung mit Kommunikation und E/A

Schließen Sie die Verkabelung an den Anschlussklemmenblöcken der E/A- und Kommunikationsmodule an. Die Schaltpläne und Erläuterungen finden Sie entweder in *Abschnitt 2.8 in Kapitel 2 der Bedienungsanleitung für den Emerson FB2200 Flow Computer* (Dok.-Nr. D301784X012) oder in der *Kurzanleitung für den Emerson FB2100 Flow Computer* (Dok.-Nr. D301788X012).

Wenn Sie die Kommunikation und die E/A verkabelt haben, bringen Sie die vorderen und hinteren Deckel wieder am FB2200 an.

## Einschalten des FB2200

### **⚠ GEFAHR**

Versuchen Sie nicht, dem Gerät Spannung zuzuführen oder es von der Spannungsversorgung zu trennen, während es sich in einem Ex-Bereich befindet. Vergewissern Sie sich, dass die Umgebung nicht gefährlich ist. Bei Nichtbeachtung kann es zu einer Explosion kommen.

#### 1. Spannung zuführen, um den FB2200 einzuschalten.

Wenn Sie die Spannungsversorgung einschalten, leuchtet die Hintergrundbeleuchtung am HMI-Modul ca. 5 Sekunden lang auf und erlischt wieder. Während dieser Zeit wird die Datenbank initialisiert. Nach ca. 45 Sekunden schaltet sich die Hintergrundbeleuchtung am HMI wieder ein und beginnt, Live-Daten anzuzeigen.

Überprüfen Sie die Verkabelung regelmäßig auf Anzeichen von Verschleiß.

## Konfigurieren des FB2200

Sie müssen die Field Tools Konfigurationssoftware von Emerson (die FBxConnect™ mit einschließt) auf Ihrem PC installieren, um den FB2200 für den Einsatz zu konfigurieren. Anweisungen zur Installation und Verwendung dieser Software finden Sie in der *Kurzanleitung für den Emerson FB2200 Flow Computer* (Dok.-Nr. D301788X012).

## Zurücksetzen des FB2200

Falls Probleme auftreten, deren Ursache in der Software vermutet wird, versuchen Sie, den FB2200 zurückzusetzen. Spezifische Anweisungen hierzu finden Sie im Kapitel *Service und Fehlersuche* der *Betriebsanleitung für den Emerson FB2200 Flow Computer* (Dok.-Nr. D301784X012).

**Hinweis:** Beim Zurücksetzen gehen alle Konfigurations- und Protokoll Daten verloren. Erstellen Sie (falls möglich) eine Sicherheitskopie der Konfigurations- und Protokoll Daten, **bevor** Sie versuchen, das Gerät zurückzusetzen.

## Ersatzteile im FB2200 austauschen

Eine Liste der Teile, die der Benutzer selbst warten kann, und ihre entsprechenden Feldersatzanleitungen finden Sie in *Tabelle 1*.

## Zurücksenden des FB2200

Falls Probleme auftreten, deren Ursache in der Hardware vermutet wird, die Verkabelung prüfen. Falls die Probleme weiterhin bestehen, wenden Sie sich zur Autorisierung der Rückgabe an Ihr lokales Vertriebsbüro. So geben Sie Ihr Gerät zurück:

1. Alle Konfigurationen und Daten sichern, bevor das Gerät aus dem Prozess entfernt wird. Dann alle Spannungsquellen vom Gerät trennen und die externe Verkabelung vollständig entfernen.
2. Gerät deinstallieren.
3. Für den Versand oder die Lagerung das Gerät in einen Karton legen.

Kundendienst und technische Unterstützung  
finden Sie unter [www.Emerson.com/SupportNet](http://www.Emerson.com/SupportNet).

#### **Weltweite Firmenzentrale**

##### **Nordamerika/Lateinamerika:**

Emerson Automation Solutions  
Remote Automation Solutions  
6005 Rogerdale Road  
Houston, TX 77072, USA  
Tel.: +1 281 879 2699 | Fax: +1 281 988 4445  
[www.Emerson.com/RemoteAutomation](http://www.Emerson.com/RemoteAutomation)

##### **Europa:**

Emerson Automation Solutions  
Remote Automation Solutions  
Unit 8, Waterfront Business Park  
Dudley Road, Brierley Hill  
Dudley DY5 1LX UK  
Tel.: +44 1384 487200 | Fax: +44 1384 487258

##### **Naher Osten/Afrika:**

Emerson Automation Solutions  
Remote Automation Solutions  
Emerson FZE  
P.O. Box 17033  
Jebel Ali Free Zone – South 2  
Dubai, Vereinigte Arabische Emirate  
Tel.: +971 4 8118100 | Fax: +971 4 8865465

##### **Asien/Pazifik:**

Emerson Automation Solutions  
Remote Automation Solutions  
1 Pandan Crescent  
Singapur 128461  
Tel.: +65 6777 8211 | Fax: +65 6777 0947

© 2017-2018 Remote Automation Solutions, ein Geschäftsbereich von Emerson Automation Solutions. Alle Rechte vorbehalten.

Diese Publikation dient nur zu Informationszwecken. Obwohl große Sorgfalt zur Gewährleistung ihrer Exaktheit aufgewendet wurde, kann diese Publikation nicht zur Ableitung von Garantie- oder Gewährleistungsansprüchen, ob ausdrücklicher Art oder stillschweigend, hinsichtlich der in dieser Publikation beschriebenen Produkte oder Dienstleistungen oder ihres Gebrauchs oder ihrer Verwendbarkeit herangezogen werden. Remote Automation Solutions (RAS) behält sich das Recht vor, jederzeit und ohne Vorankündigung die Konstruktion und technischen Daten seiner Produkte zu ändern oder zu verbessern. Für alle Verkäufe gelten unsere (RAS) allgemeinen Geschäftsbedingungen, die auf Anfrage zur Verfügung gestellt werden. Die Verantwortung bezüglich der richtigen Auswahl, Verwendung oder Wartung von jeglichen Produkten liegt allein beim Käufer und Endanwender.

# Calculateur de débit Emerson FB2200

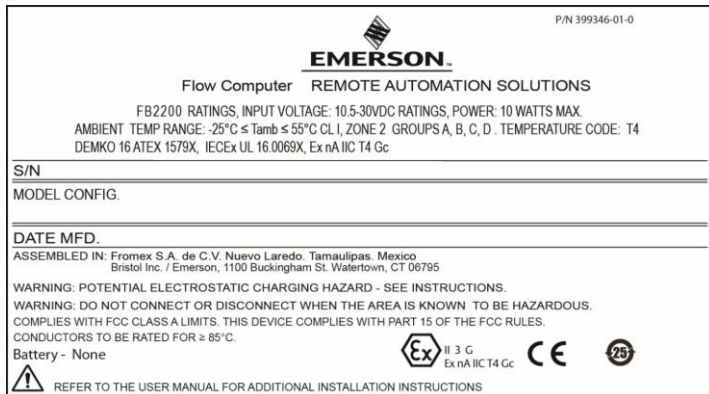


Figure 1. Étiquette de l'Emerson FB2200  
 (Anti-étincelles avec capteur intégré)

Utilisez les présentes Instructions d'utilisation et de sécurité (SUI) avec le Manuel d'instructions du calculateur de débit Emerson FB2200 (réf. D301784X012). Consultez ce manuel pour obtenir toutes les mesures de précaution, explications d'installation et procédures de dépannage. Pour obtenir une formation relative à ce produit, contactez votre bureau commercial Emerson local.

Le calculateur de débit Emerson FB2200 (ou « FB2200 ») avec une homologation ATEX peut être commandé avec un module de communication ou E/S en option répertorié dans la fiche de spécifications du calculateur de débit Emerson FB2200 (réf. D301792X012).

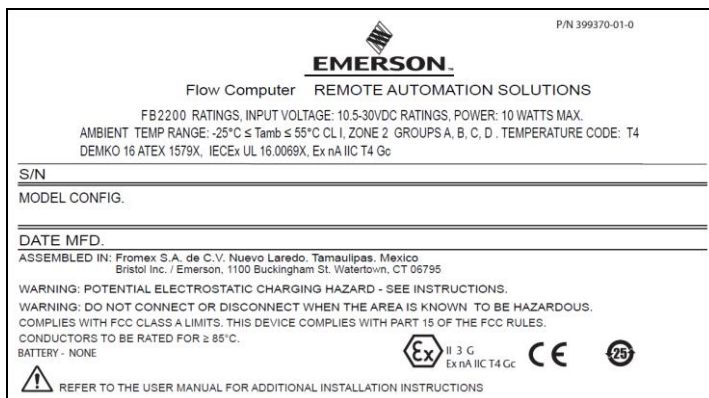


Figure 2. Étiquette de l'Emerson FB2200  
 (Anti-étincelles sans capteur intégré)

## Déclaration de conformité

Remote Automation Solutions déclare par la présente que les calculateurs de débit FB2200 sont conformes aux exigences essentielles et aux autres dispositions applicables des Directives européennes 2014/30/UE (CEM) et 2014/34/UE (ATEX).

## Conditions particulières d'utilisation

- Utiliser l'équipement dans une zone qui ne dépasse pas le degré de pollution 2.

- Prendre les précautions nécessaires pour s'assurer, en cas de perturbation transitoire, que la tension nominale ne dépasse pas 140 % de la tension nominale de crête.
- Les batteries au plomb-acide et l'énergie solaire ne doivent pas être utilisées dans des applications ATEX.
- Des tests d'impact sur l'écran ont été menés en fonction des valeurs du Groupe II portant sur le faible risque de danger mécanique, conformément au tableau 13 des normes EN 60079-0:2012+A11:2013 et CEI 60079-0 (6<sup>e</sup> édition). Installer les calculateurs de débit équipés d'un écran dans des zones où le risque d'impact est faible.
- Pour les installations en zone 2, s'assurer que le calculateur de débit est monté et utilisé de manière à éviter tout risque de charges électrostatiques.
- Le boîtier du FB2200 nécessite un outillage spécifique pour s'ouvrir. Pour plus de détails, consulter la rubrique *Sécurité physique* au Chapitre 1 du Manuel d'instructions du calculateur de débit Emerson FB2200 (réf. D301784X012).
- Consulter le [tableau 1](#) pour les pièces de rechange.

Tableau 1. Pièces de rechange

Pièce de rechange	Référence du kit	Numéro de document du Guide de remplacement sur le terrain
Carte d'E/S d'extension à 8 canaux	400217010-KIT	D301804X012
Carte d'E/S d'extension à 6 canaux	400215010-KIT	D301803X012
Indicateur du module HMI	399379-01-0, 621627011-KIT, 399380-01-0, 621627020-KIT	D301822X012
Carte de terminaison d'E/S	400210010-KIT, 358807010-KIT	D301805X012
Boîtier de CPU et électronique	621673-01-0, 621674-01-0, 621675-01-0, 621676-01-0, 621678-01-0, 400209010-KIT, 399260-01-0, 399264-01-0, 400211010-KIT	D301803X012
Cellule	Numéro de kit variable	D301843X012
Accessoires de porte	399291-01-0, 399267-01-0, 399266-01-0, 621661010-KIT, 399394-00-0	D301825X012
Relais	395828-01-0	D301847X012
Pile bouton	395620-03-1	D301855X012

## Spécifications

### ALIMENTATION

Plage de fonctionnement : 10,5 à 30 V cc (puissance maximale de 10 W).

### BOITIER

#### Boîtier :

Aluminium à revêtement à poudre, avec porte verrouillable

Fibre de verre moulé par compression, avec porte verrouillable

### ENVIRONNEMENT

#### Température de fonctionnement :

Anti-étincelles (Ex nA) : -25 °C à +55 °C.

**Temp. de stockage :** -40 °C à +85 °C.

**Humidité de fonctionnement :** 5-95 % sans condensation, conformément à la norme CEI 60068-2-3.

### POIDS

6,94 kg (15.3 lbs) (boîtier en fibre de verre)

10,75 kg (23.7 lbs) (boîtier en aluminium)

### HOMOLOGATIONS

#### Évalué par rapport aux normes européennes suivantes (CEM) :

EN 61326-1:2013 (Émissions)

EN 61326-2-3:2013 (Immunité)

#### Immunité

EN 61000-4-2 (Décharge électrostatique)

EN 61000-4-3 (Immunité aux champs rayonnés)

EN 61000-4-4 (Immunité aux transitoires rapides en salves)

EN 61000-4-5 (Surtensions)

EN 61000-4-6 (Immunité aux radiofréquences conduites)

EN 61000-4-8 (Immunité aux champs magnétiques de puissance à impulsions)

EN 61000-4-17 (Immunité aux ondulations de tension)

EN 61000-4-29 (Immunité aux chutes et interruptions de tension)

#### Évalué par rapport aux normes d'homologation suivantes :

Directive 2014/34/UE

EN 60079-0:2012+A11:2013

EN 60079-15:2010

#### Évalué par rapport aux normes suivantes (CEI) :

CEI 60079-0 (2011), 6<sup>e</sup> édition

CEI 60079-15 (2010), 4<sup>e</sup> édition

#### Marquages de produit pour emplacements dangereux :

Ex nA IIC T4 Gc (-25 °C ≤ T<sub>amb</sub> ≤ +55 °C),



Cert. N° DEMKO 16 ATEX 1579X

## DANGER

Si les unités sont installées dans une zone dangereuse, assurez-vous que les étiquettes des composants sélectionnés autorisent leur usage dans une telle zone. L'installation et la maintenance ne doivent être effectuées que lorsque la zone ne présente aucun risque. L'installation ou la maintenance dans une zone dangereuse peuvent entraîner des blessures ou des dégâts matériels.

Mettez toujours le FB2200 hors tension avant toute intervention sur le câblage. Toute intervention sur un équipement sous tension pourrait entraîner des blessures ou des dégâts matériels.

Pour éviter d'endommager les circuits lors d'une intervention à l'intérieur de l'unité, prenez les précautions pertinentes concernant les décharges électrostatiques, notamment le port d'un bracelet antistatique.

Vérifiez la polarité de l'alimentation en entrée avant de mettre le FB2200 sous tension. Toute intervention sur un équipement sous tension pourrait entraîner des blessures ou des dégâts matériels.

Les outils suivants sont nécessaires pour l'installation, la maintenance et le dépannage :

- Ordinateur PC exécutant Microsoft® Windows® 7 Professional, Windows 8.1 Pro ou Windows 10 Pro et le logiciel de configuration Emerson Field Tools (avec logiciel de configuration FBxConnect™).
- Tournevis Philips (cruciformes) n° 1 et n° 2.
- Tournevis à tête plate de 3 mm (1/8").

## Déballage

Le FB2200 vous est livré dans un carton. Sortez-le du carton. Vérifiez soigneusement que toutes les pièces figurant dans la nomenclature de livraison sont incluses.

## Installation

1. Trouvez un emplacement convenable pour le FB2200. Lors de la sélection d'un emplacement, assurez-vous de bien vérifier tous les dégagements. Le boîtier du FB2200 est conçu pour résister aux mauvaises conditions climatiques. L'écran LCD en option doit être visible et accessible à l'opérateur sur place.





Figure 3. Vue avant du FB2200 (boîtier en aluminium)  
 (avec capteur MVS intégré en option)

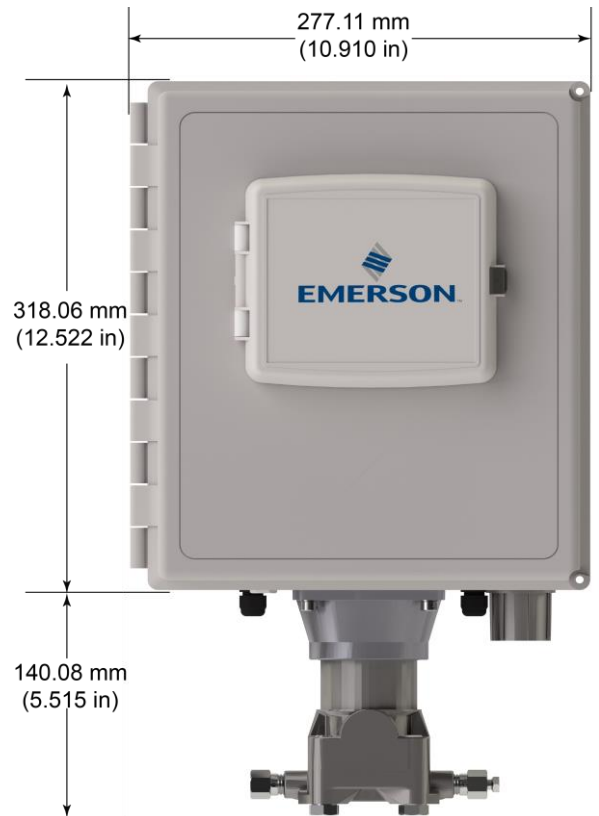


Figure 5. Vue avant du FB2200 (boîtier en fibre de verre)  
 (avec capteur MVS intégré en option)

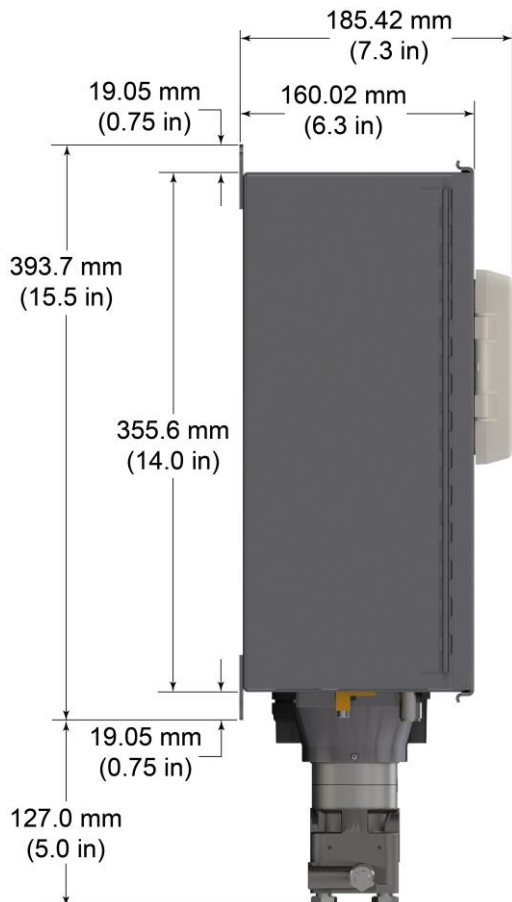


Figure 4. Vue latérale du FB2200 (boîtier en aluminium)  
 (avec capteur MVS intégré en option)

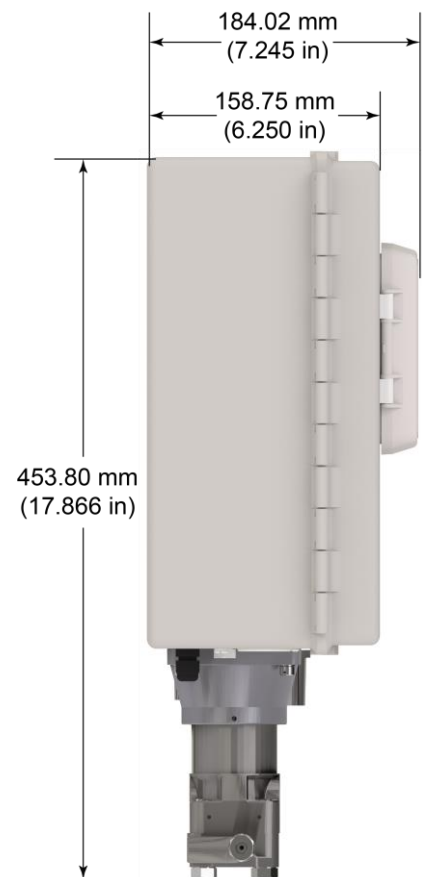


Figure 6. Vue latérale du FB2200 (boîtier en fibre de verre)  
 (avec capteur MVS intégré en option)

- Le FB2200 se monte sur un poteau ou un tuyau de 2 pouces (voir *Figure 7*) ; il peut également être monté sur un mur ou un panneau au moyen des quatre trous présents sur le boîtier et de fixations adéquates.

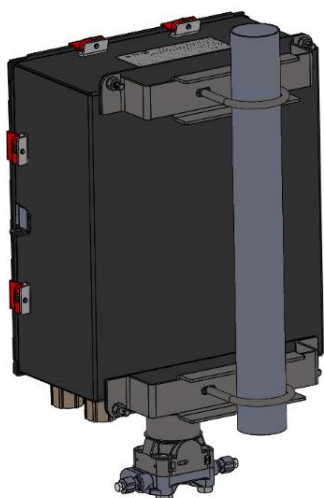


Figure 7. FB2200 (boîtier en aluminium) monté sur tuyau

### Mise à la masse

Ouvrez la porte avant du FB2200, comme expliqué au *Chapitre 2 du Manuel d'instructions du calculateur de débit Emerson FB220* (réf. D301784X012) ou dans le *Guide de démarrage rapide du calculateur de débit Emerson FB2200* (réf. D301788X012).

Si votre site n'observe aucune exigence de mise à la terre, installez le FB2200 en tant que système « flottant » (non relié à la terre) à l'aide du plot de masse et acheminez le fil de masse via l'un des raccords de conduit. Dans le cas contraire, observez les pratiques spécifiques de mise à la terre de votre site. Cependant, en cas de connexion entre un appareil mis à la terre et un port EIA-232 (RS-232), reliez l'alimentation du FB2200 à la **ground**.

Si vous devez mettre l'équipement à la terre, observez les directives suivantes.

- Lorsque l'équipement fonctionne sur une source d'alimentation CC, le système de mise à la terre doit se terminer au niveau du sectionneur d'entretien. Tous les conducteurs de mise à la terre de l'équipement, et notamment les fils ou les conduits reliant les conducteurs, doivent fournir un trajet électrique jusqu'au sectionneur d'entretien.
- Une mise à la terre incorrecte ou médiocre peut souvent être à l'origine de problèmes tels que l'introduction de boucles de terre dans le système. La mise à la terre correcte du FB2200 permet de réduire les effets de bruit électrique lors du fonctionnement de l'unité et protège contre la foudre. Sur les systèmes d'alimentation en courant continu, installez un dispositif de protection contre les surtensions au niveau de l'interrupteur

de sectionnement pour protéger l'équipement contre la foudre et les surtensions.

- Assurez-vous que la masse du calculateur de débit est séparée de la masse de protection cathodique.
- La méthode de mise à la terre du FB2200 diffère selon que la conduite est ou non pourvue d'une protection cathodique. Sur les conduites dotées d'une protection cathodique, le FB2200 doit être électriquement isolé de la conduite. Toutes les prises de terre doivent avoir une impédance de tige ou de grille de mise à la terre égale ou inférieure à 25 ohms, conformément aux mesures effectuées à l'aide d'un dispositif d'essai de la mise à la terre.

### Câblage à l'alimentation

Câblez le FB2200 via les raccords de conduit se trouvant sur le bas du boîtier. Les borniers peuvent recevoir des câbles de 2 mm de diamètre/3 mm<sup>2</sup> maximum. Pour raccorder le fil aux bornes de compression amovibles des borniers :

- Dénudez l'extrémité du câble (sur 6 mm maximum).
- Introduisez l'extrémité dénudée du câble dans le collier situé sous la vis de terminaison.
- Serrez la vis.

Une longueur minimale de fil dénudé doit être exposée afin d'éviter les courts-circuits. Laissez un peu de mou pour éviter toute tension du câble.

Raccordez le câblage d'alimentation. Passez en revue les descriptions de câblage d'alimentation au *Chapitre 2 du Manuel d'instructions du calculateur de débit Emerson FB2200* (réf. D301784X012).

### Vérifiez que la polarité de raccordement est correcte.

Pour les raccordements d'alimentation c.c. :

- Déposez le connecteur de bornier de son support.
- Insérez chaque extrémité de fil dénudé dans le connecteur correspondant et fixez le câble (reportez-vous aux *Figure 8*).
- Ré-enfichez le connecteur de bornier de son support.

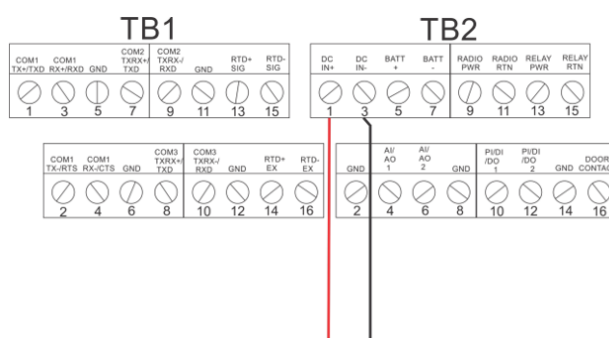


Figure 8. Câblage vers l'alimentation c.c.

Pour des instructions détaillées concernant la connexion de la batterie, reportez-vous au *Guide de démarrage rapide du calculateur de débit Emerson FB2200* (réf. D301788X012).

## Câblage vers les modules de communications et d'E/S

Reliez les câbles aux borniers des modules d'E/S et de communication. Pour le schéma de câblage et des explications, reportez-vous à la *Section 2.8 du Chapitre 2 du Manuel d'instructions du calculateur de débit Emerson FB2200* (réf. D301784X012) ou du *Guide de démarrage rapide du calculateur de débit Emerson FB2200* (réf. D301788X012).

Une fois que vous avez câblé les modules de communication et d'E/S, fermez le couvercle du FB2200 et fixez-le en place.

## Mise sous tension du FB2200

### DANGER

En zone dangereuse, ne cherchez pas à connecter ou à déconnecter l'alimentation de l'unité. Assurez-vous que la zone n'est pas dangereuse, au risque de provoquer une explosion.

1. Pour démarrer le FB2200, mettez-le sous tension.

Lorsque vous appliquez l'alimentation, le rétroéclairage du module HMI s'allume pendant 5 secondes environ, puis s'éteint. La base de données commence à s'initialiser pendant ce temps. Au bout de 45 secondes environ, le rétroéclairage du HMI s'allume à nouveau et affiche des données en temps réel.

Inspectez régulièrement le câblage afin de détecter tout signe de détérioration.

## Configuration du FB2200

Pour configurer le FB2200 à des fins d'utilisation, vous devez installer le logiciel de configuration Field Tools d'Emerson (avec FBxConnect™) sur votre ordinateur. Pour des instructions concernant l'installation et l'utilisation de ce logiciel, reportez-vous au *Guide de démarrage rapide du calculateur de débit Emerson FB2200* (réf. D301788X012).

## Réinitialisation du FB2200

Face à des problèmes potentiellement liés au logiciel, essayez de réinitialiser le FB2200. Pour des instructions spécifiques, reportez-vous au Chapitre *Entretien et dépannage* du *Manuel d'instructions du calculateur de débit Emerson FB2200* (réf. D301784X012).

**Remarque :** Une réinitialisation entraînera la perte de toutes les données de configuration et de journalisation. Si possible, sauvegardez les données de configuration et de journalisation **avant** de procéder à une réinitialisation, quelle qu'elle soit.

## Remplacement des pièces du FB2200

Reportez-vous au *tableau 1* pour une liste des pièces réparables par l'utilisateur et de leurs guides de remplacement de champ respectifs.

## Retour du FB2200

En cas de problèmes potentiellement liés au matériel, vérifiez le câblage. Si les problèmes persistent, contactez votre bureau de vente local pour l'autorisation de renvoi. Pour retourner l'appareil :

1. Sauvegardez la configuration et toutes les données avant de débrancher l'appareil de la boucle de procédé. Mettez l'appareil hors tension et déconnectez tout câblage extérieur.
2. Désinstallez l'appareil.
3. Placez l'appareil dans une boîte à des fins d'expédition ou de stockage.

Pour contacter le service clientèle et bénéficier d'une assistance technique, consultez la page [www.Emerson.com/SupportNet](http://www.Emerson.com/SupportNet).

**Siège social international**

**Amérique du Nord et Amérique latine:**

Emerson Automation Solutions  
Remote Automation Solutions  
6005 Rogerdale Road  
Houston, TX 77072 États-Unis.  
T +1 281 879 2699 | F +1 281 988 4445  
[www.Emerson.com/RemoteAutomation](http://www.Emerson.com/RemoteAutomation)

**Europe :**

Emerson Automation Solutions  
Remote Automation Solutions  
Unit 8, Waterfront Business Park  
Dudley Road, Brierley Hill  
Dudley DY5 1LX UK  
T +44 1384 487200 | F +44 1384 487258

**Moyen-Orient/Afrique:**

Emerson Automation Solutions  
Remote Automation Solutions  
Emerson FZE  
P.O. Box 17033  
Jebel Ali Free Zone – South 2  
Dubai, Émirats Arabes Unis.  
T +971 4 8118100 | F +971 4 8865465

**Asie-Pacifique:**

Emerson Automation Solutions  
Remote Automation Solutions  
1 Pandan Crescent  
Singapour 128461  
T +65 6777 8211 | F +65 6777 0947

© 2017-2018 Remote Automation Solutions, une division d'Emerson Automation Solutions.  
Tous droits réservés.

Cette publication est à titre informatif uniquement. Bien que tous les efforts aient été faits pour vérifier l'exactitude des informations présentées dans ce document, ce dernier ne saurait être considéré comme une garantie tacite ou explicite des produits ou services décrits quant à leur utilisation ou leur applicabilité. Remote Automation Solutions (RAS) se réserve le droit de modifier ou d'améliorer les conceptions ou les spécifications de ses produits à tout moment et sans préavis. Toutes les ventes sont régies par les conditions générales de RAS, lesquelles sont disponibles sur demande. RAS n'accepte aucune responsabilité quant au choix, à l'utilisation ou à l'entretien d'un produit, laquelle incombe uniquement à l'acquéreur et/ou à l'utilisateur final.

# Computador de vazão Emerson FB2200

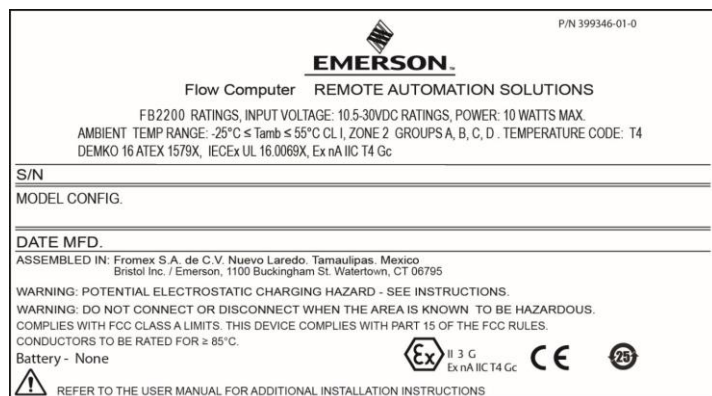


Figura 1. Etiqueta Emerson FB2200  
(não gera faúlhas, com sensor integral)

Use este documento de instruções de para uso seguro (SUI) com o *Manual de instruções do Computador de vazão Emerson FB2200* (peça D301784X012). Para obter todos os cuidados e descrições relacionados aos procedimentos de instalação e resolução de problemas, consulte este manual. Se for necessário obter treinamento para este produto, entre em contato com o escritório de vendas local.

O Computador de vazão Emerson FB2200 (ou "FB2200") com aprovação ATEX pode ser pedido com qualquer um dos módulos opcionais de comunicações ou E/S apresentados na folha de dados do produto *Computador de vazão Emerson FB2200* (peça D301792X012).

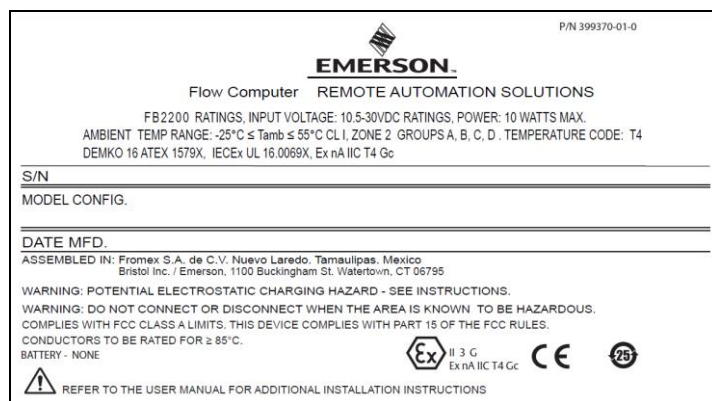


Figura 2. Etiqueta Emerson FB2200  
(não gera faúlhas, sem sensor integral)

## Declaração de Conformidade

Por este documento, a Remote Automation Solutions declara que os produtos Computadores de vazão Emerson FB2200 estão em conformidade com os requisitos fundamentais e outras cláusulas pertinentes das Diretivas Europeias 2014/30/EU (EMC) e 2014/34/EU (ATEX).

## Condições específicas de uso

- Use o equipamento em um local cujo nível de poluição não exceda o grau 2.

- Assegure-se de que, caso ocorram distúrbios transientes, a tensão nominal não exceda o seu máximo em 140%.
- As opções de bateria de chumbo-ácido e energia solar não devem ser usadas em aplicações ATEX.
- Foram conduzidos testes de impacto no monitor com base nos valores de Grupo II para baixo risco de perigo mecânico, de acordo com a Tabela 13 das normas EN 60079-0:2012 + A11:2013 e a 6ª edição da norma IEC 60079-0. Instale computadores de vazão com monitores em locais onde há baixo risco de impacto.
- Em instalações de Zona 2, assegure-se de que o computador de vazão esteja instalado e sendo usado para evitar o perigo de cargas eletrostáticas.
- É necessário o uso de uma ferramenta para abrir o invólucro do FB2200. Consulte a seção *Segurança física* do *Capítulo 1* do *Manual de instruções do Computador de vazão Emerson FB2200* (peça D301784X012) para mais detalhes.
- Consulte a *tabela 1* para obter as peças de substituição.

Tabela 1. Peças de substituição

Peça de substituição	Número do kit	Número do documento da guia de substituição de campo
Placa com 8 canais de expansão E/S	400217010-KIT	D301804X012
Placa com 6 canais de expansão E/S	400215010-KIT	D301803X012
Conjunto do display módulo HMI	399379-01-0, 621627011-KIT, 399380-01-0, 621627020-KIT	D301822X012
Placa terminal E/S	400210010-KIT, 358807010-KIT	D301805X012
Invólucro da CPU e peças eletrônicas	621673-01-0, 621674-01-0, 621675-01-0, 621676-01-0, 621678-01-0, 400209010-KIT, 399260-01-0, 399264-01-0, 400211010-KIT	D301803X012
Sensor	Número do kit variável	D301843X012
Acessórios da porta	399291-01-0, 399267-01-0, 399266-01-0, 621661010-KIT, 399394-00-0	D301825X012
Relé	395828-01-0	D301847X012
Célula de bateria	395620-03-1	D301855X012

## Especificações

### ENERGIA

Faixa de operação: 10,5 Vcc a 30 Vcc (potência máx. de 10 W)

### CARCAÇA

#### Invólucro:

alumínio com pintura eletrostática, porta com trava  
Fibra de vidro moldada por compressão, porta com trava

### AMBIENTAIS

#### Temperatura de operação:

não gera fagulhas (Ex nA): -25 °C a +55 °C.

#### Temp. de armazenamento:

-40 °C a +85 °C.

**Umidade de operação:** 5-95% sem condensação conforme IEC 60068-2-3.

### PESO

6,94 kg (15,3 lb) (carcaça de fibra de vidro)

10,75 kg (23,7 lb) (carcaça de alumínio)

### CERTIFICAÇÕES

#### Avaliado para os seguintes padrões europeus (EMC):

EN 61326-1:2013 (emissões)

EN 61326-2-3:2013 (imunidade)

#### Imunidade

EN 61000-4-2 (descarga eletrostática)

EN 61000-4-3 (imunidade irradiada)

EN 61000-4-4 (transientes rápidos)

EN 61000-4-5 (surtos)

EN 61000-4-6 (RF conduzida)

EN 61000-4-8 (campo magnético de frequência de potência)

EN 61000-4-17 (ondulação de tensão)

EN 61000-4-29 (quedas e interrupções de tensão)

#### Avaliado para os seguintes padrões de aprovação:

Diretiva 2014/34/UE

EN 60079-0:2012+A11:2013

EN 60079-15:2010

#### Avaliado para os seguintes padrões (IEC):

IEC 60079-0 (2011), 6ª edição

IEC 60079-15 (2010), 4ª edição

#### Marcações do produto para locais perigosos:

Ex nA IIC T4 Gc (-25 °C ≤ T<sub>amb</sub> ≤ +55 °C),



Cert. Nº DEMKO 16 ATEX 1579X

## PERIGO

Para instalar unidades em uma área classificada, verifique se todos os componentes selecionados para instalação têm etiqueta para uso nestas áreas. Somente devem ser realizadas a instalação e a manutenção, quando se tem conhecimento que o local não é perigoso. A instalação ou a manutenção em uma área classificada pode causar lesão pessoal ou danos à propriedade.

Sempre desligue a alimentação do FB2200, antes de manusear qualquer tipo de fiação. A fiação de um equipamento ligado pode causar lesão pessoal ou danos à propriedade.

Para evitar danos ao circuito ao trabalhar dentro da unidade, tome os cuidados necessários com a descarga eletrostática, como usar uma pulseira de aterramento.

Verifique a polaridade da alimentação de entrada antes de ligar o FB2200. A fiação de um equipamento ligado pode causar lesão pessoal ou danos à propriedade.

As ferramentas abaixo são necessárias para instalação, manutenção e resolução de problemas:

- Computador pessoal com Microsoft® Windows® 7 Professional, Windows 8.1 Pro ou Windows 10 Pro e software de configuração Emerson Field Tools (fornecendo FBxConnect™).
- Chave de fenda Phillips (cabeça cruzada) nº 1 e nº 2.
- Chave de fenda plana 3 mm (1/8 pol.).

## Desembalagem

Você recebe o FB2200 em uma caixa. Retire-o da caixa. Verifique a lista da embalagem com atenção para ter certeza de que todos os componentes estão presentes.

## Instalação

1. Encontre um local adequado para o FB2200. Ao selecionar um local de instalação, verifique todos os espaços livres. O invólucro FB2200 é projetado para suportar uma variedade de condições adversas. O LCD opcional deve ficar visível e acessível para o operador no local.



Figura 3. Vista frontal do FB2200 (carcaça de alumínio) (com sensor MVS integral opcional)

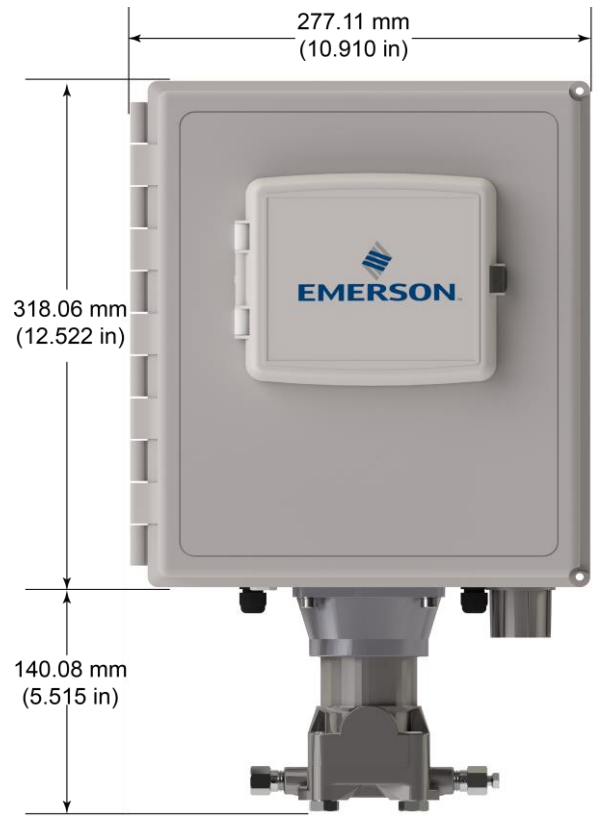


Figura 5. Vista frontal do FB2200 (carcaça de fibra de vidro) (com sensor MVS integral opcional)

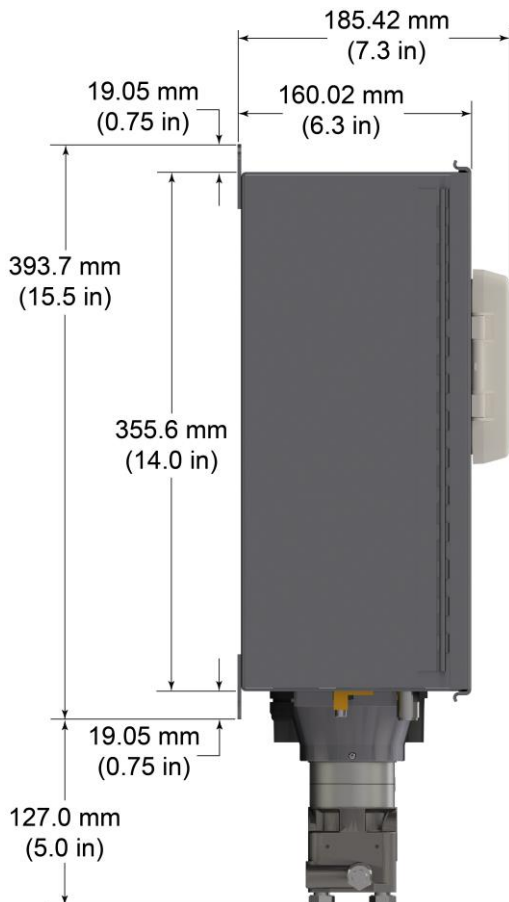


Figura 4. Vista lateral do FB2200 (carcaça de alumínio) (com sensor MVS integral opcional)

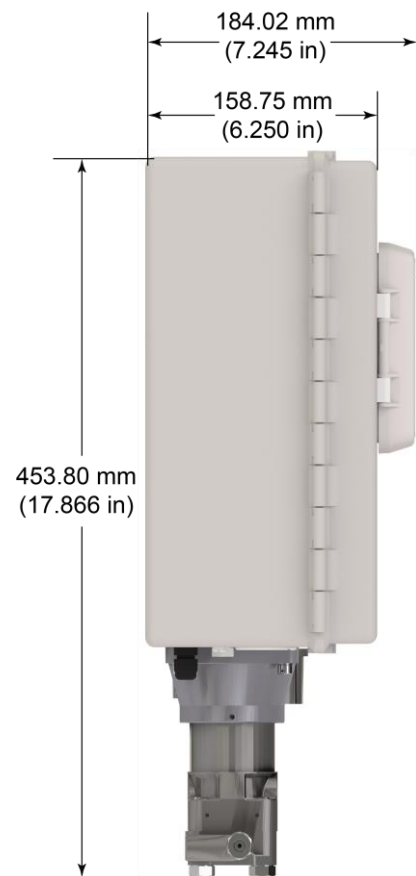


Figura 6. Vista lateral do FB2200 (carcaça de fibra de vidro) (com sensor MVS integral opcional)

- O FB2200 é montado em um tubo ou poste de duas polegadas (veja a *Figura 7*) ou pode ser montado em parede ou painel usando os quatro orifícios na caixa e fixações adequadas.

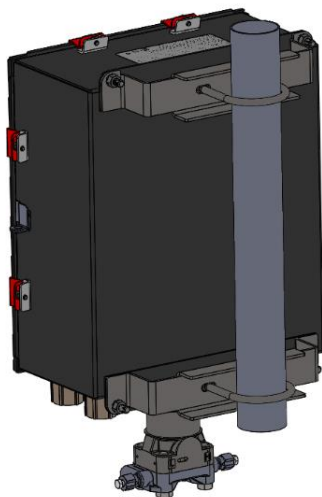


Figura 7. FB2200 (carcaça de alumínio) em montagem em tubo

## Aterramento

Abra a porta dianteira do FB2200 conforme detalhado no *Capítulo 2 do Manual de instruções do Computador de vazão Emerson FB2200* (peça D301784X012) ou no *Guia de início rápido do Computador de vazão Emerson FB2200* (peça D301788X012).

Se a sua empresa não tiver requisitos específicos de aterramento, instale o FB2200 em um sistema "flutuante" (não conectado ao solo), que utiliza o terminal de aterramento, passando o fio terra através de um dos encaixes de conduíte. Caso contrário, siga as práticas de aterramento específicas da sua empresa. No entanto, se você estiver fazendo uma conexão entre um dispositivo **aterrado** e uma porta EIA-232 (RS-232), aterre a fonte de alimentação do FB2200.

Se precisar aterrar o equipamento, observe as seguintes diretrizes:

- Quando o equipamento utiliza uma fonte de tensão CC, o sistema de aterramento deve terminar no interruptor de serviço. Todos os condutores de aterramento do equipamento, inclusive fio ou conduíte que leva os condutores da fonte de alimentação, devem fornecer um caminho elétrico ininterrupto para o interruptor de serviço.
- O aterramento inadequado ou más práticas de aterramento, muitas vezes, podem causar problemas tais como a introdução de laços de aterramento no sistema. O aterramento correto do FB2200 ajuda a reduzir os efeitos do ruído elétrico durante a operação da unidade e a proteger contra raios. Instale um dispositivo de proteção contra surtos junto ao interruptor de serviço nos sistemas de fonte de voltagem CC para

proteger o equipamento instalado contra raios e surtos de tensão.

- O aterramento do computador de vazão deve estar separado do aterramento da proteção catódica.
- O método de instalação do aterramento para o FB2200 depende da proteção catódica da tubulação. Em dutos com proteção catódica, o FB2200 deve ser eletricamente isolado dos dutos. Todos os pontos de ligação à terra devem ter uma haste ponto-a-terra ou uma impedância de rede de até 25 ohms, conforme medição feita por um dispositivo de teste do sistema de aterramento.

## Fiação para alimentação

Conecte a fiação do FB2200 através dos encaixes do conduíte na base do invólucro. Os blocos de terminais aceitam fiação de 2 mm de diâmetro/3 mm<sup>2</sup> ou menor. Para conectar o fio aos terminais de compressão do bloco removíveis:

- Descubra a extremidade (máximo 6 mm) do fio.
- Insira a ponta descascada do fio na braçadeira sob o parafuso da terminação.
- Aperte o parafuso.

Exponha o mínimo de fio descascado, para evitar curtos-circuitos. As conexões devem ter alguma folga para evitar esforço.

Conecte a fiação de alimentação. Revise as descrições de fiação de energia no *Capítulo 2 do Manual de instruções do Computador de vazão Emerson FB2200* (peça D301784X012).

## Verifique se a polaridade da conexão está correta.

Para realizar conexões da fonte de alimentação CC:

- Remova o conector do bloco terminal da tomada.
- Insira cada extremidade do fio exposto no conector apropriado e prenda o fio (consulte *Figura 8*).
- Instale o conector do bloco terminal na tomada.

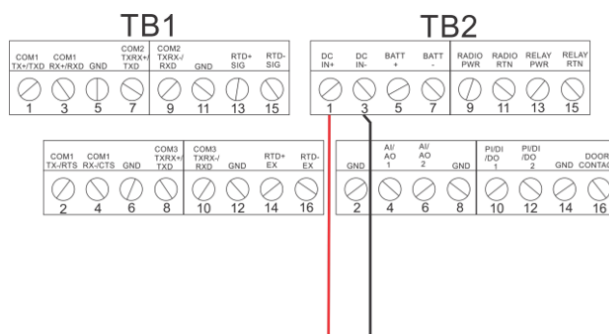


Figura 8. Fiação à fonte de alimentação CC



Consulte o *Guia de início rápido do Computador de vazão Emerson FB2200* (peça D301788X012) para instruções detalhadas sobre a conexão da bateria.

## Fiação para comunicações e E/S

Conecte a fiação aos blocos de terminais nos módulos de comunicação e E/S. Consulte a *Seção 2.8 no Capítulo 2 do Manual de instruções do Computador de vazão Emerson FB2200* (peça D301784X012) ou o *Guia de início rápido do Computador de vazão Emerson FB2200* (peça D301788X012) para obter diagramas e explicações de fiação.

Depois de ter conectado as comunicações e E/S, feche e prenda a tampa do FB2200.

## Como ligar o FB2200

### PERIGO

Não tente conectar nem desconectar energia da unidade em uma área classificada. Garanta que a área não seja classificada. Não fazer isso pode resultar em uma explosão.

#### 1. Para iniciar o FB2200, ligue a energia.

Ao ligar a energia, a iluminação de fundo no módulo HMI acende por aproximadamente 5 segundos e depois se apaga. Durante esse tempo, o banco de dados começa a inicializar. Depois de aproximadamente 45 segundos, a iluminação de fundo na HMI acende novamente e começa a exibir dados dinâmicos.

Inspecione periodicamente a fiação à procura de sinais de deterioração.

## Como configurar o FB2200

Instale o software de configuração Field Tools da Emerson (que inclui o FBxConnect™) no seu PC para configurar o FB2200 para uso. Consulte o *Guia de início rápido do Computador de vazão Emerson FB2200* (peça D301788X012) para instruções sobre a instalação e o uso desse software.

## Reinicialização do FB2200

Se você estiver com problemas que pareçam ser relacionados a software, tente redefinir o FB2200. Consulte o capítulo *Serviço e resolução de problemas do Manual de instruções do Computador de vazão Emerson FB2200* (peça D301784X012) para obter instruções específicas.

**Observação:** você perderá todos os dados de registro e configuração com uma reinicialização. Faça um backup de configuração e registro de dados **antes** de tentar qualquer tipo de restauração.

## Trocar peças no FB2200

Consulte a *tabela 1* para obter a lista de peças substituíveis pelo próprio usuário e seus respectivos guias de substituição de campo.

## Como devolver o FB2200

Se você tiver problemas que pareçam estar relacionados com o hardware, verifique a fiação. Se o problema persistir, entre em contato com um escritório de vendas na sua região, para solicitar uma autorização de devolução. Para devolver o dispositivo:

1. Faça backup de toda a configuração e dados antes de remover o dispositivo da disponibilidade do processo. Então, desligue completamente o dispositivo e remova todas as fiações externas.
2. Desinstale o dispositivo.

Coloque o dispositivo em uma caixa para transporte ou armazenamento.

Para atendimento ao cliente e suporte técnico,  
visite [www.Emerson.com/SupportNet](http://www.Emerson.com/SupportNet).

**Sede global,**

**América do Norte e América Latina:**

Emerson Automation Solutions  
Remote Automation Solutions  
6005 Rogerdale Road  
Houston TX EUA 77072 U.S.A.  
Fone +1 281 879 2699 | Fax +1 281 988 4445  
[www.Emerson.com/RemoteAutomation](http://www.Emerson.com/RemoteAutomation)

**Europa:**

Emerson Automation Solutions  
Remote Automation Solutions  
Unit 8, Waterfront Business Park  
Dudley Road, Brierley Hill  
Dudley DY5 1LX UK  
Telefone +44 1384 487200 | Fax +44 1384 487258

**Oriente Médio/África:**

Emerson Automation Solutions  
Remote Automation Solutions  
Emerson FZE  
P.O. Box 17033  
Jebel Ali Free Zone – South 2  
Dubai, Emirados Árabes Unidos.  
Fone +971 4 8118100 | Fax +971 4 8865465

**Ásia-Pacífico:**

Emerson Automation Solutions  
Remote Automation Solutions  
1 Pandan Crescent  
Singapura 128461  
Telefone +65 6777 8211 | Fax +65 6777 0947

© 2017-2018 Remote Automation Solutions, uma unidade de negócios da Emerson Automation Solutions. Todos os direitos reservados.

Esta publicação tem apenas a finalidade de apresentar informações. Embora cada esforço tenha sido empregado para garantir precisão, esta publicação não inclui quaisquer formas de garantia, explícita ou implícita, em relação aos produtos ou serviços descritos ou uso ou aplicabilidade deles. A Remote Automation Solutions (RAS) reserva-se o direito de modificar ou melhorar os projetos ou as especificações desses produtos a qualquer momento sem aviso prévio. Todas as vendas são regulamentadas pelos termos e condições da RAS, que se encontram disponíveis mediante solicitação. A responsabilidade pela seleção adequada, uso e manutenção de qualquer produto da RAS permanece unicamente com o adquirente e usuário final.

# 艾默生 FB2200 流量计算机

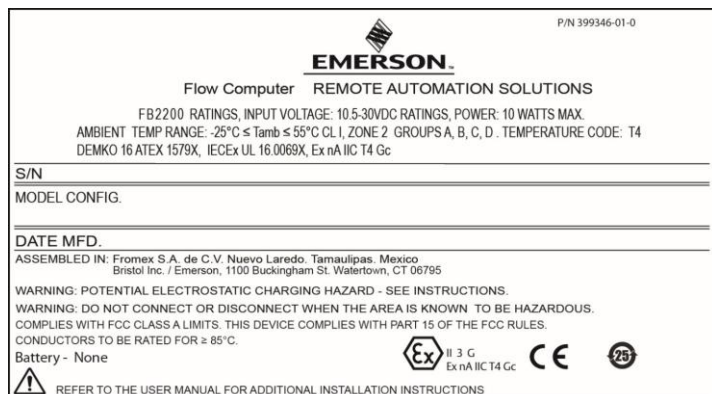


图1. 艾默生FB2200 标签  
(无火花, 带一体式传感器)

本安全使用说明 (SUI) 文档应与《艾默生FB2200 流量计算机说明手册》(部件 D301784X012) 一起使用。关于安装和故障排除程序的所有注意事项和说明, 请参阅此手册。如果您需要本产品的相关培训, 请联系当地销售处。

艾默生 FB2200 流量计算机 (或“FB2200”) 通过 ATEX 认证, 订购时, 可以选配产品数据表“艾默生FB2200 流量计算机” (部件 D301792X012) 中列出的任何可选通讯或 I/O 模块。

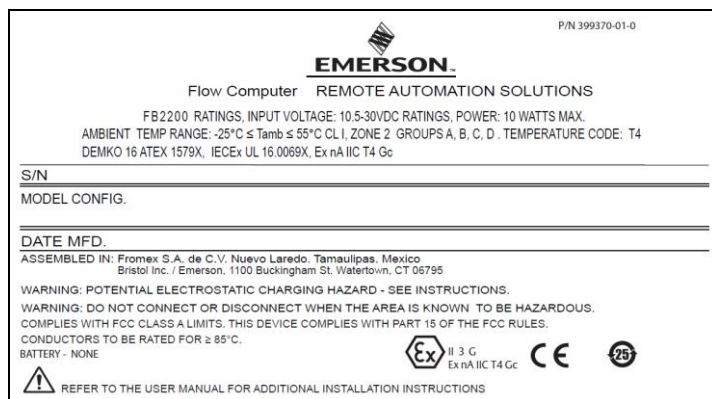


图2. 艾默生FB2200 标签  
(无火花, 不带一体式传感器)

## 符合性声明

艾默生远程自动化解决方案在此声明, 艾默生 FB2200 流量计算机符合欧洲指令 2014/30/EU (EMC) 和 2014/34/EU (ATEX) 的基本要求和和其他相关规定。

## 符合性声明

- 在污染程度不大于2的区域使用该设备。
- 确保在瞬态干扰的情况下, 额定电压不超过额定电压峰值的140%。
- 铅酸电池和太阳能配件不得用于ATEX应用。
- 按照EN 60079-0:2012+A11:2013和IEC 60079-0第6版中的表13, 基于第II组值, 对显示器进行了冲击测试, 以确保低机械伤害风险。安装流量计算机, 将显示器安置在具有较低撞击风险的区域。
- 当安装于2区时, 确保流量计算机的安装和使用可防止静电电荷危险。
- FB2200 外壳需要工具打开。欲知详情, 请参阅艾默生FB2200 流量计算机使用手册第1章物理安全部分 (D301784X012部分)。
- 备件请参照表1。

表1 备件

备件	套件编号	现场更换指南文件号
8 通道 I/O 扩充板	400217010-KIT	D301804X012
6 通道 I/O 扩充板	400215010-KIT	D301803X012
HMI 模块显示组件	399379-01-0, 621627011-KIT, 399380-01-0, 621627020-KIT	D301822X012
I/O 终端板	400210010-KIT, 358807010-KIT	D301805X012
CPU 外壳和电子部件	621673-01-0, 621674-01-0, 621675-01-0, 621676-01-0, 621678-01-0, 400209010-KIT, 399260-01-0, 399264-01-0, 400211010-KIT	D301803X012
传感器	可变套件编号	D301843X012
门附件	399291-01-0, 399267-01-0, 399266-01-0, 621661010-KIT, 399394-00-0	D301825X012
继电器	395828-01-0	D301847X012
纽扣电池	395620-03-1	D301855X012

## 技术规格

### 电源

工作范围: 10.5 Vdc 至 30 Vdc (10 W 最大功率)

### 外壳

#### 壳体:

粉末喷涂铝材, 带可上锁的门

压缩成型玻璃纤维, 带可上锁的门

### 环境

#### 工作温度:

无火花 (Ex nA): -25°C 至 +55°C。

存储温度: -40°C 至 +85°C。

工作湿度: 依据 IEC 60068-2-3, 为 5-95%, 无冷凝。

### 重量

6.94 kg (15.3 lb) (玻璃纤维外壳)

10.75 kg (23.7 lb) (铝质外壳)

### 认证

#### 按照下列欧洲标准 (EMC) 进行评估:

EN 61326-1:2013 (排放)

EN 61326-2-3:2013 (抗扰性)

#### 抗扰性

EN 61000-4-2 (静电放电)

EN 61000-4-3 (辐射抗扰性)

EN 61000-4-4 (快速瞬变)

EN 61000-4-5 (浪涌)

EN 61000-4-6 (传导射频)

EN 61000-4-8 (工频磁场)

EN 61000-4-17 (电压纹波)

EN 61000-4-29 (电压突降和中断)

#### 按照下列认证标准进行评估:

指令 2014/34/EU

EN 60079-0:2012+A11:2013

EN 60079-15:2010

#### 按照下列标准 (IEC) 进行评估:

IEC 60079-0 (2011), 第 6 版

IEC 60079-15 (2010), 第 4 版

#### 危险场所使用产品标志:

Ex nA IIC T4 Gc (-25°C ≤ T<sub>amb</sub> ≤ +55°C),



证书编号: DEMKO 16 ATEX 1579X

## ⚠ 危险

在危险区域安装装置时, 请确保所选的所有安装组件都标明了可以用于这些区域。只有在这些区域被确认为无危险时, 才可以执行安装和维护操作。在危险区域安装或维护可能导致人员受伤或财产损失。

尝试进行任何接线之前, 务必关闭 FB2200 的电源。对通电设备进行接线可能会造成人员受伤或财产损失。

为防止在装置内操作时损坏电路, 请采取适当的静电放电防护措施 (例如佩戴接地腕带)。

连接 FB2200 至电源前请检查输入电源的极性。对通电设备进行接线可能会造成人员受伤或财产损失。

安装、维护和故障排除需要使用以下工具:

- 运行 Microsoft® Windows® 7 Professional、Windows 8.1 Pro 或 Windows 10 Pro 及艾默生现场工具组态软件 (提供 FBxConnect™) 的个人电脑。
- #1 和 #2 十字头螺丝刀。
- 3 mm (1/8 in) 平头螺丝刀。

## 拆箱

交付时, FB2200 使用盒子包装。请从盒中将其取出。仔细检查装箱单以确保组件完整。

## 安装

1. 寻找合适的 FB2200 安装位置。选择安装位置时, 确保检查所有间隙。FB2200 外壳经过专门设计, 能够承受多种恶劣条件。现场操作员应确保可以看到和接触到可选 LCD。

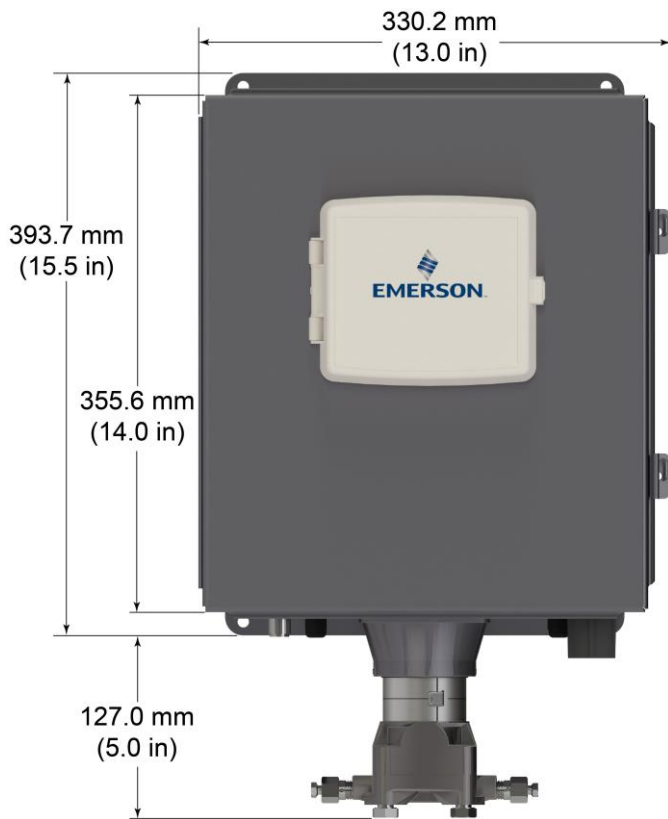


图3. FB2200 正视图 (铝质外壳)  
(带可选一体式MVS 传感器)

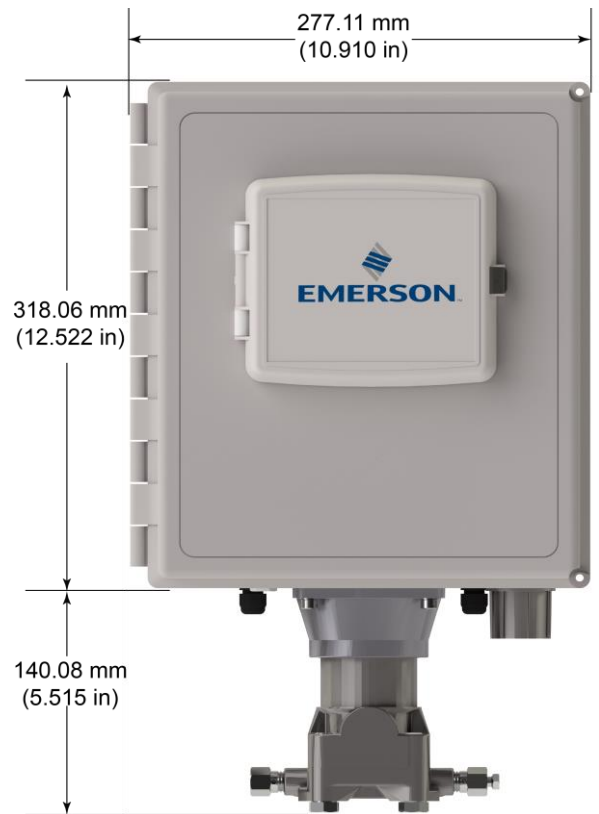


图5. FB2200 正视图 (玻璃纤维外壳)  
(带可选一体式MVS 传感器)

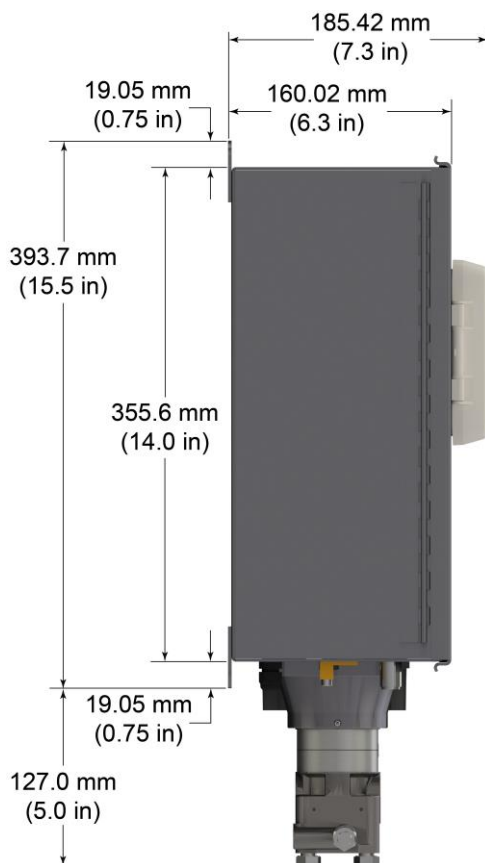


图4. FB2200 侧视图 (铝质外壳)  
(带可选一体式MVS 传感器)

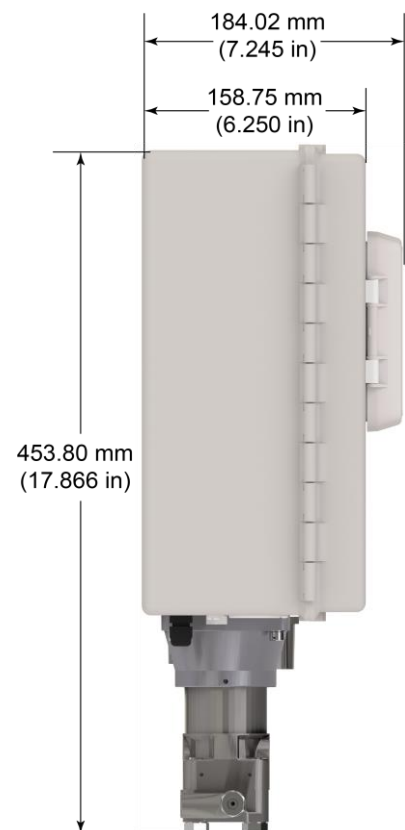


图6. FB2200 侧视图 (玻璃纤维外壳)  
(带可选一体式MVS 传感器)

2. FB2200 安装在二英寸管道或立柱上（见图7），也可利用机箱上的四个孔和适当的连接件进行墙壁或面板安装。

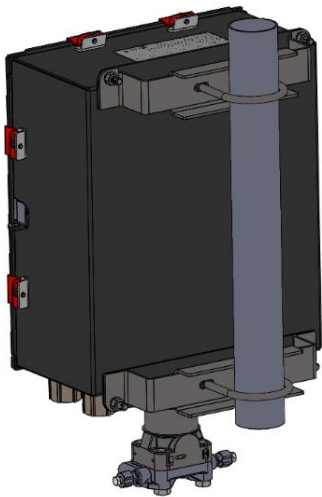


图7. 管道安装座上的FB2200（铝质外壳）

### 接地

按照《艾默生FB2200 流量计算机说明手册》（部件D301784X012）第2章或《艾默生FB2200 流量计算机快速安装指南》（部件D301788X012）中的详细说明，打开FB2200的前门。

如果贵司没有特定的接地要求，请使用接地片将FB2200作为“浮动”（不接地）系统来进行安装，并使接地线穿过导线管接头之一。否则，请遵照贵公司的特定接地惯例。但是，如果您要连接接地设备和EIA-232 (RS-232) 端口，请将FB2200电源接地。

如果您必须将设备接地，请遵循以下指引：

- 如果设备使用直流电压电源，接地系统必须在服务中断处终止。所有设备接地导线（包括带有电源导线的电线或导线管）与服务中断处之间必须有不中断的电流通路。
- 错误接地或接地不良经常会引起问题，例如将接地回路引入系统等。FB2200 正确接地可帮助减少电噪声对设备运行的影响，并防止雷电袭击。在直流电压电源系统的服务中断处安装浪涌保护设备，可保护安装的设备不受雷电和电涌的影响。
- 确保流量计算机的接地与阴极保护接地隔离。
- FB2200 的接地安装方法取决于管道是否有阴极保护。如果管道有阴极保护，请将FB2200与管道实施电气绝缘。所有接地的地面与接地棒或接地网之间的阻抗必须为25欧姆或以下（使用接地系统检测器检测）。

### 接线至电源

通过外壳底部的导线管接头为FB2200接线。接线端子可接入直径为2mm/截面为3mm<sup>2</sup>或更细的电线。要将接线连接至可移除的压紧式端子块，请执行以下操作：

- 剥开线端（最多6mm）。
- 将电线裸露端插入端接螺钉下方的接线夹中。
- 拧紧螺钉。

尽量减少裸线外露部分，以防止短路。连接时保持一定的松弛度，以防过紧。

连接电源接线。请查阅《艾默生FB2200 流量计算机说明手册》（部件D301784X012）第2章中的电源接线说明。

### 确认连接极性正确。

要连接DC电源，请执行以下操作：

- 拔下插孔上的接线端子连接器。
- 将每条裸露的线头插入适当的连接器，并固定电线（请参考图8）。
- 将接线端子连接器插回插孔。

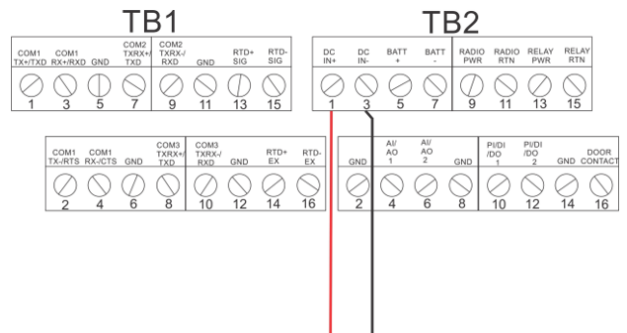


图8. 接线至直流电源

请参阅《艾默生FB2200 流量计算机快速安装指南》（部件D301788X012），以获得关于正确连接电池的详细说明。

### 接线至通讯和I/O模块

将接线连接到I/O和通讯模块上的接线端子。请参阅《艾默生FB2200 流量计算机说明手册》（部件D301784X012）第2章第2.8节或《艾默生FB2200 流量计算机快速安装指南》（部件D301788X012），以查看接线图示和说明。

连接好通讯模块和I/O模块后，关闭并固定FB2200的护盖。

## 接通 FB2200 电源

### 危险

切勿尝试在危险区域中将设备连接电源或断开电源。确保执行这些操作的区域为非危险区域。否则，可能会导致爆炸。

#### 1. 要启动 FB2200，接通电源。

当您打开电源后，HMI 模块的背光将会亮起大约 5 秒，然后熄灭。在此期间，数据库开始初始化。大约 45 秒后，HMI 的背光再次亮起，并开始显示实时数据。

请定期检查接线是否有损坏迹象。

## 组态 FB2200

您必须在 PC 上安装艾默生的现场工具组态软件（其中包含 FBxConnect™）才能组态 FB2200 以投入使用。请参阅《艾默生 FB2200 流量计算机快速安装指南》（部件 D301788X012），以获得安装和使用此软件的说明。

## 重置 FB2200

如果您遇到看起来与软件有关的问题，请尝试重置 FB2200。请参阅《艾默生 FB2200 流量计算机说明手册》（部件 D301784X012）的“维修与故障排除”一章，以了解具体的说明。

**注：**重置将导致您丢失所有组态和日志数据。如可能，请在尝试任何类型的重置之前，对组态和日志数据进行备份。

## 更换 FB2200 中的部件

如需了解用户可用部件列表及其相关的现场更换指南，请参照表 1。

## 返修 FB2200

如果您碰到的问题可能与硬件有关，请检查接线。如果问题仍然存在，请联系您的当地销售处以获取返修授权。如需返修设备：

1. 请从过程中拆卸设备之前备份所有组态和数据。然后，切断设备的电源，并移所有外部接线。
2. 拆除设备。
3. 将设备放入包装箱中，以便安全存放或运输。

如需客户服务和技术支持，  
请访问 [www.Emerson.com/SupportNet](http://www.Emerson.com/SupportNet)。

**全球总部**

**北美及拉丁美洲：**

艾默生自动化解决方案  
远程自动化解决方案  
美国德克萨斯州休斯顿，邮编 77072  
Rogerdale 路 6005 号。  
电话 +1 281 879 2699  
传真 +1 281 988 4445  
[www.Emerson.com/RemoteAutomation](http://www.Emerson.com/RemoteAutomation)

**欧洲：**

艾默生自动化解决方案  
远程自动化解决方案  
英国达德利布赖尔利山  
达德利大道  
滨水商业公园 8 单元，邮编 DY5 1LX  
电话 +44 1384 487200  
传真 +44 1384 487258

**中东/非洲：**

艾默生自动化解决方案  
远程自动化解决方案  
阿拉伯联合酋长国迪拜  
杰贝阿里自由贸易区-南 2 号  
艾默生 FZE  
邮政信箱 17033  
电话 +971 4 8118100  
传真 +971 4 8865465

**亚太：**

艾默生自动化解决方案  
远程自动化解决方案  
新加坡班丹湾 1 号  
邮编：128461  
电话 +65 6777 8211  
传真 +65 6777 0947

© 2017-2018 艾默生自动化解决方案远程自动化解决方案业务部门。保留所有权利。

本刊物内容仅供参考。我们已尽最大努力确保准确性，本刊物不得视为对此处所述产品或服务以及其使用或适用性的明示或暗示保证或担保。远程自动化解决方案 (RAS) 有权随时修改或改进其产品的设计或规格，恕不另行通知。所有销售均受 RAS 条款和条件的制约，这些条款或条件可按要求提供。RAS 概不承担正确选择、使用或维护任何产品的责任，该等责任应由购买者和/或最终用户独自承担。



# Flow computer FB2200 Emerson

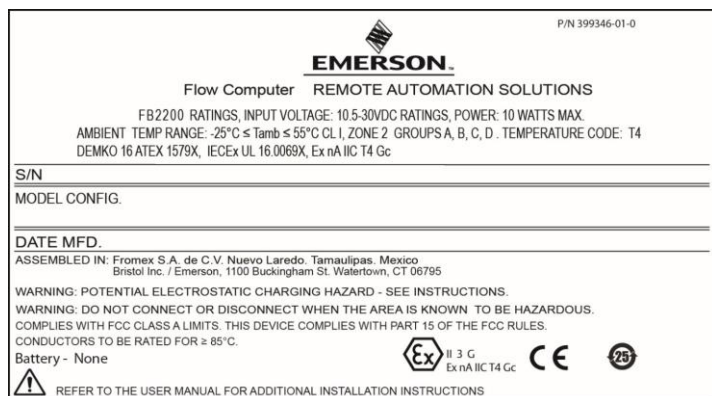


Figura 1. Etichetta FB2200 Emerson  
(a prova di scintilla con sensore integrale)

Utilizzare queste istruzioni per l'uso sicuro (SUI) con il *Manuale d'istruzioni del flow computer FB2200 Emerson* (codice D301784X012). Per tutte le avvertenze e le descrizioni delle procedure di installazione e la risoluzione dei problemi, fare riferimento al presente manuale. Se è necessaria formazione per questo prodotto, contattare l'ufficio vendite locale.

Il flow computer FB2200 Emerson (o "FB2200") con certificazione ATEX può essere ordinato con qualsiasi modulo di comunicazione o I/O opzionale elencato nel bollettino tecnico *Flow computer FB2200 Emerson* (codice D301792X012).

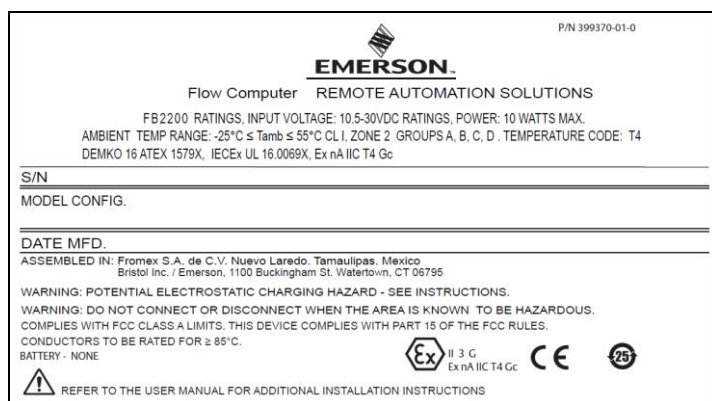


Figura 2. Etichetta FB2200 Emerson  
(a prova di scintilla senza sensore integrale)

## Dichiarazione di conformità

Remote Automation Solutions dichiara che i flow computer FB2200 Emerson sono conformi ai requisiti essenziali ed alle altre disposizioni pertinenti delle Direttive Europee 2014/30/UE (EMC) e 2014/34/UE (ATEX).

## Condizioni speciali per l'uso

- Utilizzare l'apparecchiatura in un'area con livello di inquinamento non superiore a 2.

- Prendere le dovute precauzioni per garantire, in caso di disturbi da sovratensione, che la tensione nominale non superi del 140% la tensione nominale di picco.
- Le opzioni batteria al piombo-acido e con alimentazione a energia solare non sono indicate per le applicazioni ATEX.
- I test di impatto sul display sono stati condotti in base ai valori del Gruppo II per il rischio basso di pericolo meccanico, in conformità alla Tabella 13 sia di EN 60079-0:2012+A11:2013 sia di IEC 60079-0 6ª edizione. Installare i computer di flusso con display in aree in cui il rischio di impatto è basso.
- Nelle installazioni in Zona 2, assicurarsi che il computer di flusso sia installato e utilizzato in modo da prevenire il pericolo di scariche elettrostatiche.
- Per aprire la custodia del FB2200 è necessario un utensile. Per ulteriori dettagli, fare riferimento alla sezione *Sicurezza fisica* del *Capitolo 1* del *Manuale delle istruzioni del computer di flusso FB2200 Emerson* (parte D301784X012).
- Per le parti di ricambio, fare riferimento alla *Tabella 1*.

Tabella 1. Parti di ricambio

Parte di ricambio	Numero kit	Numero documento della Guida di sostituzione in campo
Scheda di espansione I/O a 8 canali	400217010-KIT	D301804X012
Scheda di espansione I/O a 6 canali	400215010-KIT	D301803X012
Gruppo display modulo HMI	399379-01-0, 621627011-KIT, 399380-01-0, 621627020-KIT	D301822X012
Scheda di terminazione I/O	400210010-KIT, 358807010-KIT	D301805X012
Custodia ed elettronica CPU	621673-01-0, 621674-01-0, 621675-01-0, 621676-01-0, 621678-01-0, 400209010-KIT, 399260-01-0, 399264-01-0, 400211010-KIT	D301803X012
Sensore	Variable Kit Number	D301843X012
Accessori sportello	399291-01-0, 399267-01-0, 399266-01-0, 621661010-KIT, 399394-00-0	D301825X012
Relé	395828-01-0	D301847X012
Batteria a bottone	395620-03-1	D301855X012

## Specifiche

### ALIMENTAZIONE

Intervallo di esercizio: da 10,5 V c.c. a 30 V c.c. (potenza massima a 10 W).

### CUSTODIA

#### Custodia:

alluminio rivestito a polvere con porta bloccabile fibra di vetro modellata compressione con porta bloccabile

### SPECIFICHE AMBIENTALI

#### Temperatura di esercizio:

A prova di scintilla (Ex nA): da -25 °C a +55 °C.

#### Temp. di stoccaggio:

da -40 °C a +85 °C.

**Umidità relativa:** 5-95% senza condensa in base a IEC 60068-2-3.

### PESO

6,94 kg (15.3 lbs) (custodia in fibra di vetro)

10,75 kg (23.7 lbs) (custodia in alluminio)

### CERTIFICAZIONI

#### Valutato secondo le seguenti norme europee (EMC):

EN 61326-1:2013 (emissioni)

EN 61326-2-3:2013 (immunità)

#### Immunità

EN 61000-4-2 (scariche elettrostatiche)

61000-4-3 (immunità irradiata)

EN 61000-4-4 (transitori elettrici rapidi)

EN 61000-4-5 (sovratensioni)

EN 61000-4-6 (RF condotta)

EN 61000-4-8 (immunità da campo magnetico)

EN 61000-4-17 (ondulazione di tensione)

EN 61000-4-29 (cali e interruzioni di tensione)

#### Valutato secondo le seguenti norme di certificazione:

Direttiva 2014/34/UE

EN 60079-0:2012+A11:2013

EN 60079-15:2010

#### Valutato secondo le seguenti norme (IEC):

IEC 60079-0 (2011), 6ª edizione

IEC 60079-15 (2010), 4ª edizione

#### Marcature del prodotto per aree pericolose:

Ex nA IIC T4 Gc (-25 °C ≤ T<sub>amb</sub> ≤ +55 °C)



II 3 G



cert. n. DEMKO 16 ATEX 1579X

## ⚠ PERICOLO

Quando si installano le unità in un'area pericolosa, assicurarsi che tutti i componenti di installazione selezionati riportino l'etichetta per l'uso in tali aree. L'installazione e la manutenzione devono essere eseguite solo se si è certi della non pericolosità dell'area. L'installazione o la manutenzione in aree pericolose possono causare lesioni personali o danni alle proprietà.

Spegnere sempre l'alimentazione dell'FB2200 prima di eseguire il cablaggio. Il cablaggio di un apparecchio alimentato può causare lesioni personali o danni alle proprietà.

Per evitare danni al circuito quando si lavora sull'unità adottare le precauzioni necessarie contro le scariche elettrostatiche, indossare per esempio un bracciale di messa a terra.

Prima di collegare l'alimentazione all'FB2200, controllare la polarità dell'alimentazione di ingresso. Il cablaggio di un apparecchio alimentato può causare lesioni personali o danni alle proprietà.

Sono necessari i seguenti utensili per l'installazione, la manutenzione e la risoluzione dei problemi:

- Personal computer con sistema operativo Microsoft® Windows® 7 Professional, Windows 8.1 Pro o Windows 10 Pro e software di configurazione Field Tools Emerson (con software FBxConnect™).
- Cacciavite Phillips (punta a croce) n. 1 e 2
- Cacciavite a taglio 3 mm (1/8 pollici)

## Disimballaggio

FB2200 viene fornito in una scatola. Estrarlo dalla scatola. Esaminare attentamente l'elenco di imballaggio per verificare che siano presenti tutti i componenti.

## Installazione

1. Trovare una posizione adatta per l'FB2200. Quando si sceglie un luogo di installazione, accertarsi di controllare le minime distanze di rispetto. La custodia dell'FB2200 è progettata per resistere a una serie di condizioni estreme. Lo schermo LCD opzionale deve essere visibile e accessibile per l'operatore in sede.



Figura 3. Vista anteriore dell'FB2200 (custodia in alluminio)  
 (con sensore MVS integrale opzionale)

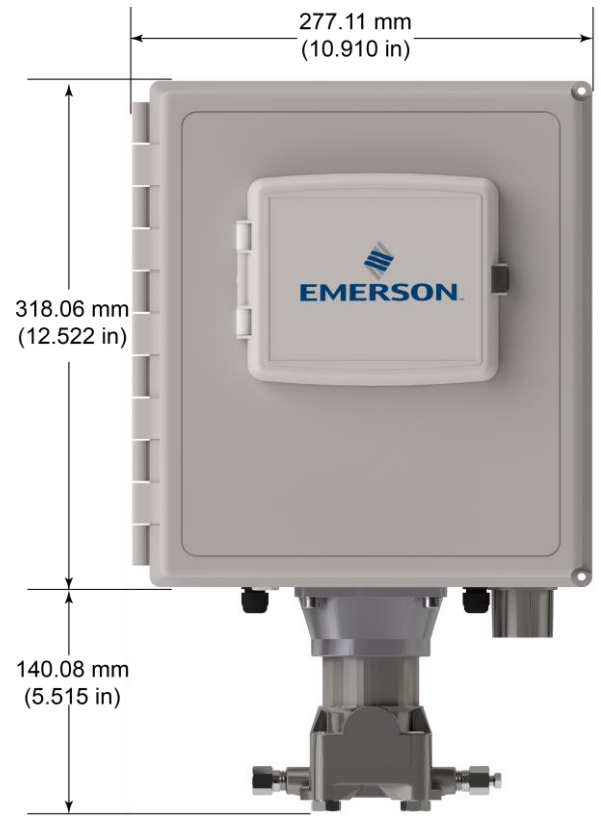


Figura 5. Vista anteriore dell'FB2200 (custodia in fibra di vetro)  
 (con sensore MVS integrale opzionale)

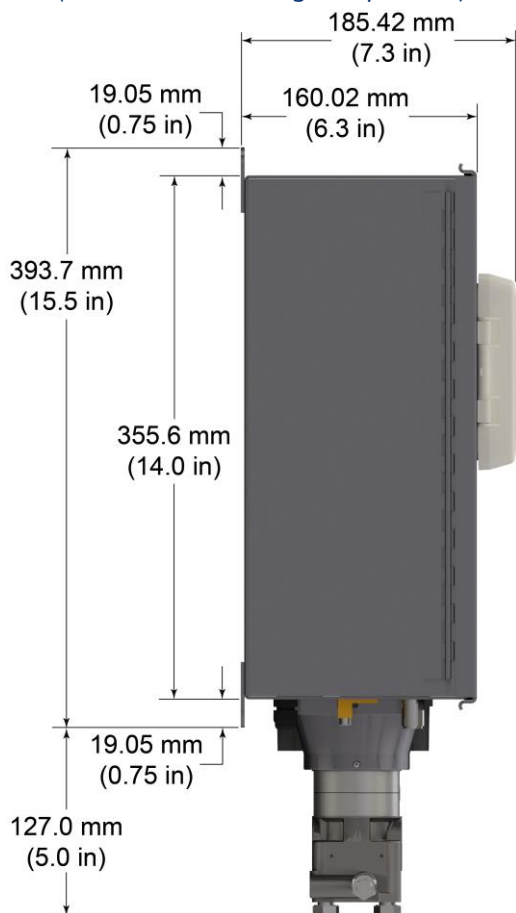


Figura 4. Vista laterale dell'FB2200 (custodia in alluminio)  
 (con sensore MVS integrale opzionale)

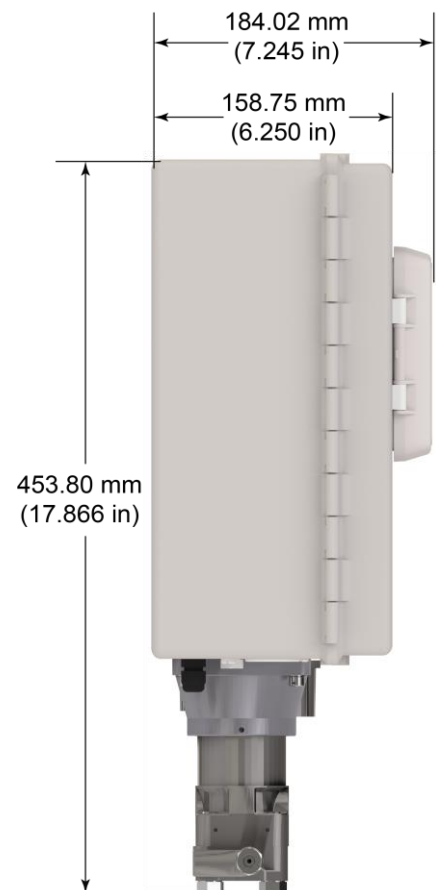


Figura 6. Vista laterale dell'FB2200 (custodia in fibra di vetro)  
 (con sensore MVS integrale opzionale)

- L'FB2200 può essere montato su palina da due pollici (vedere *Figura 7*), su parete o pannello mediante i quattro fori nella custodia e accessori appropriati.

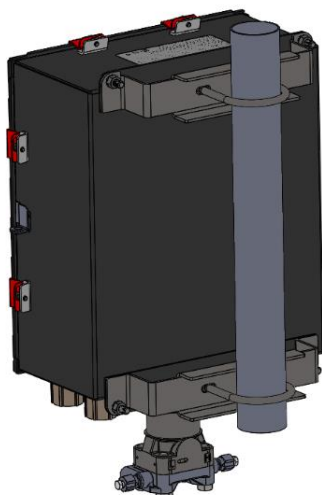


Figura 7. FB2200 (custodia in alluminio) su palina

## Messa a terra

Rimuovere il coperchio anteriore dell'FB2200, come descritto nel capitolo 2 del *Manuale d'istruzioni del flow computer FB2200 Emerson* (codice D301784X012) o nella *Guida rapida del flow computer FB2200 Emerson* (codice D301788X012).

Se l'azienda dell'utente non ha requisiti di messa a terra specifici, installare l'FB2200 come sistema "flottante" (non collegato a terra), utilizzando il capocorda di terra ed inserendo il filo di messa a terra attraverso uno dei raccordi dei conduit. Diversamente, seguire le pratiche di messa a terra specifiche della propria azienda. Tuttavia, se si effettua un collegamento tra un dispositivo messo a terra e una porta EIA-232 (RS-232), mettere a **terra** l'alimentatore dell'FB2200.

Se è necessario collegare a terra l'apparecchio, osservare le seguenti linee guida:

- Se l'apparecchio utilizza una fonte di tensione c.c., il sistema di messa a terra deve terminare sul sezionatore di servizio. Tutti i conduttori di messa a terra dell'apparecchio, compresi fili o conduit contenenti i conduttori di alimentazione, devono fornire un percorso elettrico ininterrotto verso il sezionatore di servizio.
- Una messa a terra impropria o pratiche di messa a terra inefficienti possono causare problemi, quali l'introduzione di circuiti di messa a terra nel sistema. Il corretto collegamento alla terra dell'FB2200 aiuta a ridurre gli effetti del rumore elettrico sul funzionamento dell'unità e a proteggerla dai fulmini. Installare un dispositivo di protezione da sovratensioni al sezionatore di servizio sui sistemi con tensione c.c. al fine di proteggere l'apparecchio installato da fulmini e sovratensioni.

- Verificare che la messa a terra del flow computer sia separata dalla messa a terra della protezione catodica.
- Il metodo di installazione della messa a terra per l'FB2200 cambia in caso la tubazione disponga o meno di protezione catodica. Su tubazioni con protezione catodica, l'FB2200 deve essere isolato elettricamente dalla tubazione. Tutti i collegamenti di messa a terra, con dispersore o con griglia, devono essere dotati di un'impedenza di 25 ohm o meno, misurata con un apposito tester.

## Cablaggio elettrico di alimentazione

Collegare l'FB2200 mediante i raccordi del conduit sul fondo della custodia. Le morsettiere accettano fili di 2 mm di diametro/3 mm<sup>2</sup> o inferiore. Per collegare il filo alle morsettiere a vite rimovibili:

- Spellare l'estremità del filo (massimo 6 mm).
- Inserire l'estremità spellata del filo nel morsetto sotto il morsetto a vite.
- Serrare la vite.

Esporre una minima parte di filo spellato per evitare cortocircuiti. Lasciare un certo gioco quando si effettuano le connessioni, per evitare sollecitazioni eccessive.

Collegare il cablaggio di alimentazione. Fare riferimento alle descrizioni relative al cablaggio elettrico all'alimentazione nel capitolo 2 del *Manuale d'istruzioni del flow computer FB2200 Emerson* (codice D301784X012).

## Verificare che la polarità dell'allacciamento sia corretta.

Per effettuare i collegamenti dell'alimentazione c.c.:

- Rimuovere il connettore della morsettieria dalla presa.
- Inserire e fissare ciascuna estremità spellata del filo nel relativo connettore (vedere *Figura 8*).
- Inserire nuovamente il connettore della morsettieria nella presa.

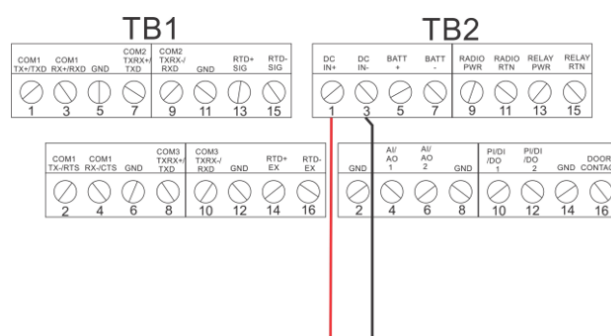


Figura 8. Cablaggio ad alimentazione c.c.

Per istruzioni sull'installazione e l'uso del software, fare riferimento alla *Guida rapida del flow computer FB2200 Emerson* (codice D301788X012).

## Cablaggio ai moduli I/O e di comunicazione

Collegare il cablaggio alle morsettiere sui moduli I/O e di comunicazione. Per schemi di cablaggio e spiegazioni, fare riferimento alla *sezione 2.8 del capitolo 2 del Manuale d'istruzioni del flow computer FB2200 Emerson* (codice D301784X012) o alla *Guida rapida del flow computer FB2200 Emerson* (codice D301788X012).

Dopo avere collegato i fili ai moduli I/O e di comunicazione, chiudere e fissare il coperchio dell'FB2200.

## Accensione dell'FB2200

### PERICOLO

Non tentare di collegare o scollegare l'alimentazione dall'unità in un'area pericolosa. Verificare che si tratti di un'area non pericolosa. In caso contrario potrebbero verificarsi esplosioni.

#### 1. Alimentare e avviare l'FB2200.

All'accensione, la retroilluminazione del modulo HMI si accende per circa 5 secondi, quindi si spegne. In questo periodo di tempo il database avvia l'inizializzazione. Dopo circa 45 secondi, la retroilluminazione dell'HMI si accende di nuovo e vengono visualizzati i dati in tempo reale.

Ispezionare periodicamente i cablaggi alla ricerca di eventuali segni di deterioramento.

## Configurazione dell'FB2200

Per configurare l'FB2200, installare il software di configurazione Field Tools di Emerson (che include FBxConnect™) sul PC. Per istruzioni sull'installazione e l'uso del software, fare riferimento alla *Guida rapida del flow computer FB2200 Emerson* (codice D301788X012).

## Reset dell'FB2200

Se si verificano problemi apparentemente collegati al software, provare a ripristinare l'FB2200. Per istruzioni specifiche, fare riferimento al capitolo *Assistenza e risoluzione dei problemi* del *Manuale d'istruzioni del flow computer FB2200 Emerson* (codice D301784X012).

**Nota:** con il ripristino si perdono tutti i dati di configurazione e di registrazione. Se possibile, prima di eseguire qualsiasi tipo di ripristino, effettuare un backup dei dati di configurazione e di registrazione.

## Sostituzione di componenti dell'FB2200

Per un elenco di parti di ricambio sostituibili dall'utente con le rispettive guide di sostituzione in campo, consultare la *Tabella 1*.

## Reset dell'FB2200

Se si verificano problemi che sembrano correlati all'hardware, verificare il cablaggio. Se il problema persiste, contattare l'ufficio vendite locale per l'autorizzazione alla restituzione. Per restituire il dispositivo:

1. Eseguire il backup di tutti i dati e le configurazioni prima di rimuovere il dispositivo dal processo. Quindi scollegare l'alimentazione dal dispositivo e tutti i cablaggi esterni.
2. Disinstallare il dispositivo.
3. Collocare il dispositivo in una scatola per la spedizione o l'immagazzinaggio.

Per il servizio clienti e il supporto tecnico,  
visitare il sito [www.Emerson.com/SupportNet](http://www.Emerson.com/SupportNet).

#### Sedi centrali

##### Nord America e America Latina:

Emerson Automation Solutions  
Remote Automation Solutions  
6005 Rogerdale Road  
Houston, TX 77072 U.S.A.  
Tel. +1 281 879 2699 | Fax +1 281 988 4445  
[www.Emerson.com/SupportNet](http://www.Emerson.com/SupportNet).

##### Europa:

Emerson Automation Solutions  
Remote Automation Solutions  
Unit 8, Waterfront Business Park  
Dudley Road, Brierley Hill  
Dudley DY5 1LX UK  
Tel. +44 1384 487200 | Fax +44 1384 487258

##### Medio Oriente/Africa:

Emerson Automation Solutions  
Remote Automation Solutions  
Emerson FZE  
P.O. Box 17033  
Jebel Ali Free Zone – South 2  
Dubai U.A.E.  
Tel. +971 4 8118100 | Fax +971 4 8865465

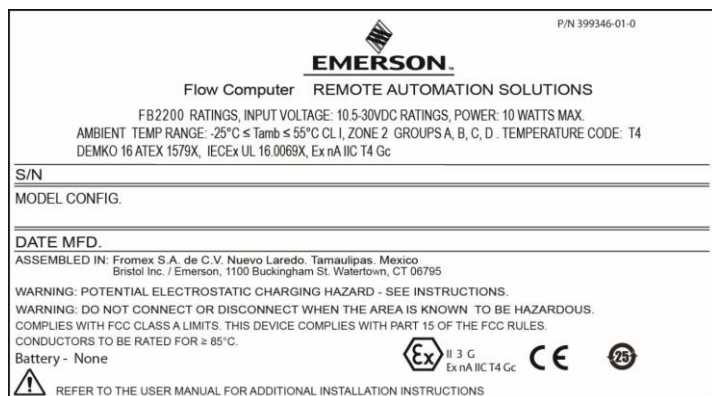
##### Asia-Pacifico:

Emerson Automation Solutions  
Remote Automation Solutions  
1 Pandan Crescent  
Singapore 128461  
Tel. +65 6777 8211 | Fax +65 6777 0947

© 2017-2018 Remote Automation Solutions, una business unit di Emerson Automation Solutions. Tutti i diritti riservati.

Questo documento ha fini esclusivamente informativi. Sebbene ogni sforzo sia stato profuso per garantire la correttezza delle informazioni, queste non vanno interpretate come garanzie, esplicite o implicite, da riferirsi ai prodotti o ai servizi ivi descritti, né al loro impiego o alla loro applicabilità. Remote Automation Solutions (RAS) si riserva il diritto di modificare o migliorare il design o le specifiche di tali prodotti in qualsiasi momento senza preavviso. Tutte le vendite sono soggette ai termini e condizioni di RAS, disponibili su richiesta. RAS non si assume la responsabilità per la selezione, l'uso e la manutenzione corretti di qualsiasi prodotto, che è esclusivamente dell'acquirente.

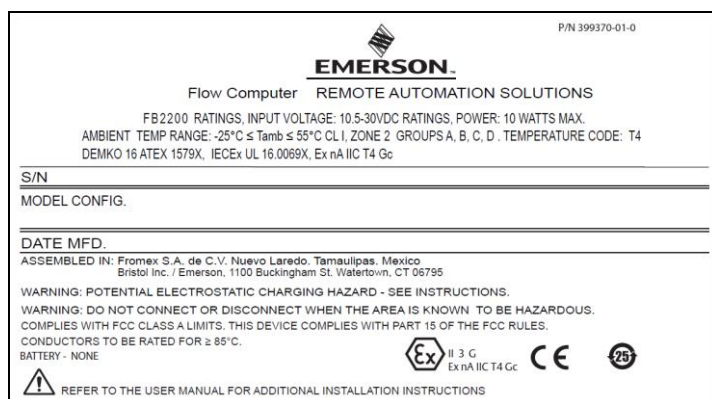
# Emerson FB2200 flowcomputer



Afbeelding 1. Emerson FB2200-label  
(Niet-vonkend met geïntegreerde sensor)

Gebruik dit document met instructies voor veilig gebruik in combinatie met de *Gebruikershandleiding voor de FB2200 flowcomputer* (onderdeelnr. D301784X012). Alle aandachtspunten en omschrijvingen met betrekking tot de installatie en het verhelpen van storingen vindt u in deze handleiding. Neem contact op met uw plaatselijke verkoopkantoor als u training nodig hebt voor dit product.

De Emerson FB2200 flowcomputer (of "FB2200") met ATEX-certificering kan worden besteld in combinatie met een van de optionele communicatie- of I/O-modules vermeld in het productdatablad *Emerson FB2200 flowcomputer* (onderdeelnr. D301792X012).



Afbeelding 2. Emerson FB2200-label  
(Niet-vonkend zonder geïntegreerde sensor)

## Verklaring van overeenstemming

Remote Automation Solutions verklaart hierbij dat de Emerson FB2200 flowcomputers voldoen aan de essentiële eisen en overige relevante bepalingen van de Europese richtlijnen 2014/30/EU (EMC) en 2014/34/EU (ATEX).

## Speciale voorwaarden voor gebruik

- Uitrusting gebruiken in een gebied met een maximale vervuilingsgraad 2.

- Zorg ervoor dat bij tijdelijke storingen de nominale spanning niet meer bedraagt dan 140% van de nominale piekspanning.
- Loodbatterij- en zonne-energie-opties zijn niet geschikt voor ATEX-toepassingen.
- Slagproeven op het display zijn uitgevoerd op basis van Groep II-waarden voor het lage risico op mechanisch gevaar, in lijn met tabel 13 van zowel EN 60079-0:2012+A11:2013 als IEC 60079-0 6<sup>e</sup> editie. Flowcomputers installeren met displays in gebieden waar het risico op botsen laag is.
- Zorg er bij Zone 2-installaties voor dat de flowcomputer wordt geïnstalleerd en gebruikt voor het vermijden van het risico op elektrostatische ladingen.
- Voor het openen van de FB2200-behuizing is gereedschap nodig. Raadpleeg het deel *Fysieke veiligheid* in Hoofdstuk 1 van de *Gebruikshandleiding Emerson FB2200 Flowcomputer* (deel D301784X012) voor meer informatie.
- Raadpleeg *Tabel 1* voor vervangende onderdelen.

Tabel 1. Vervangende onderdelen

Vervangend onderdeel	Setnummer	Documentnummer vervangingshandleiding in het veld
I/O-uitbreidingskaart met 8 kanalen	400217010-KIT	D301804X012
I/O-uitbreidingskaart met 6 kanalen	400215010-KIT	D301803X012
Weergavemontage HMI-module	399379-01-0, 621627011-KIT, 399380-01-0, 621627020-KIT	D301822X012
I/O-klemmenbord	400210010-KIT, 358807010-KIT	D301805X012
CPU-behuizing en -elektronica	621673-01-0, 621674-01-0, 621675-01-0, 621676-01-0, 621678-01-0, 400209010-KIT, 399260-01-0, 399264-01-0, 400211010-KIT	D301803X012
Sensor	Nummer variabele set	D301843X012
Deuraccessoires	399291-01-0, 399267-01-0, 399266-01-0, 621661010-KIT, 399394-00-0	D301825X012
Relais	395828-01-0	D301847X012
Knoopcelbatterij	395620-03-1	D301855X012

## Specificaties

### VOEDING

Werkingsbereik: 10,5 Vdc tot 30 Vdc (10 W max. voedingsspanning).

### BEHUIZING

#### Behuizing:

Aluminium met poedercoating, met vergrendelbaar deksel

Compressiegevormde glasvezel, met vergrendelbaar deksel

### OMGEVING

#### Omgevingstemperatuur:

Niet-vonkend (Ex nA): -25 °C tot +55 °C.

**Opslagtemperatuur:** -40 °C tot +85 °C.

**Vochtigheid tijdens bedrijf:** 5-95% niet-condenserend volgens IEC 60068-2-3.

### GEWICHT

6,94 kg (15.3 lbs) (behuizing van glasvezel)

10,75 kg (23.7 lbs) (behuizing van aluminium)

### GOEDKEURINGEN

#### Beoordeeld op basis van de volgende Europese normen (EMC):

EN 61326-2-3:2013 (Immunititeit)

EN 61326-1-2013: (Emissies)

#### Immunititeit

EN 61000-4-2 (Elektrostatische ontlading)

EN 61000-4-3 (Uitgestraalde immunititeit)

EN 61000-4-4 (Snelle overspanningen)

EN 61000-4-5 (Pieken)

EN 61000-4-6 (Geleide RF)

EN 61000-4-8 (Voedingsfrequentie magnetisch veld)

EN 61000-4-17 (Spanningsrimpel)

EN 61000-4-29 (Spanningsdalingen en -onderbrekingen)

#### Beoordeeld op basis van de volgende goedkeuringsnormen:

Richtlijn 2014/34/EU

EN 60079-0:2012+A11:2013

EN 60079-15:2010

#### Beoordeeld op basis van de volgende normen (IEC):

IEC 60079-0 (2011), 6<sup>e</sup> versie

IEC 60079-15 (2010), 4<sup>e</sup> versie

#### Productmarkeringen voor gevaarlijke omgevingen:

Ex nA IIC T4 Gc (-25 °C ≤ T<sub>omg.</sub> ≤ +55 °C)



Cert. Nr. DEMKO 16 ATEX 1579X

## ⚠ GEVAAR

Zorg als het apparaat in een gevaarlijke omgeving wordt geïnstalleerd dat alle bij de installatie gebruikte componenten geschikt zijn voor gebruik in een dergelijke omgeving. Installatie en onderhoud mogen alleen plaatsvinden als de omgeving daarvoor geen gevaar oplevert. Installatie of onderhoud in een gevaarlijke omgeving kan leiden tot persoonlijk letsel of materiële schade.

Schakel altijd eerst de stroom van de FB2200 uit voordat u werkzaamheden aan de bekabeling uitvoert. Het bekabelen van ingeschakelde apparatuur kan tot lichamenlijk letsel of schade aan het apparaat leiden.

Neem bij werkzaamheden binnen in het apparaat afdoende maatregelen om schade aan de schakelingen door elektrostatische ontladingen te voorkomen, zoals het dragen van een geaarde polsband.

Controleer de polariteit van de ingangsstroom voordat u de stroom naar de FB2200 inschakelt. Het bekabelen van ingeschakelde apparatuur kan tot lichamenlijk letsel of schade aan het apparaat leiden.

Voor het installeren, uitvoeren van onderhoud en verhelpen van storingen aan het apparaat zijn de volgende hulpmiddelen vereist:

- Pc met Microsoft® Windows® 7 Professional, Windows 8.1 Pro of Windows 10 Pro en Emerson Field Tools-configuratiesoftware (met FBxConnect™).
- Nr. 1 en nr. 2 kruiskopschroevendraaiers.
- Platte schroevendraaier van 3 mm (1/8 inch).

## Uitpakken

De FB2200 wordt geleverd in een doos. Haal het apparaat uit de doos. Loop de paklijst zorgvuldig na om te controleren of alle onderdelen aanwezig zijn.

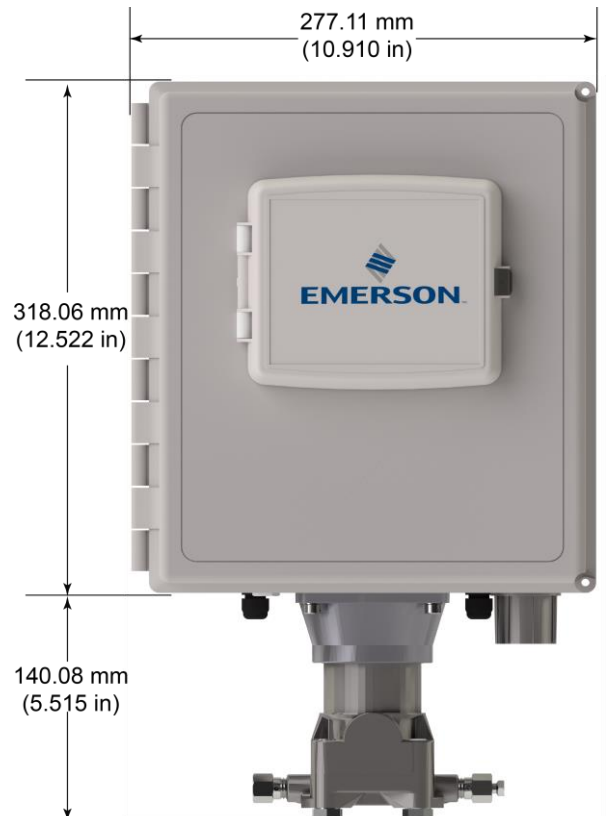
## Installatie

1. Bepaal een geschikte plaats voor de FB2200. Controleer bij de keuze van de installatieplek alle vrije ruimten. De behuizing van de FB2200 is ontworpen om allerlei nadelige omstandigheden te kunnen weerstaan. De optionele LCD moet zichtbaar en toegankelijk zijn voor de operator op locatie.

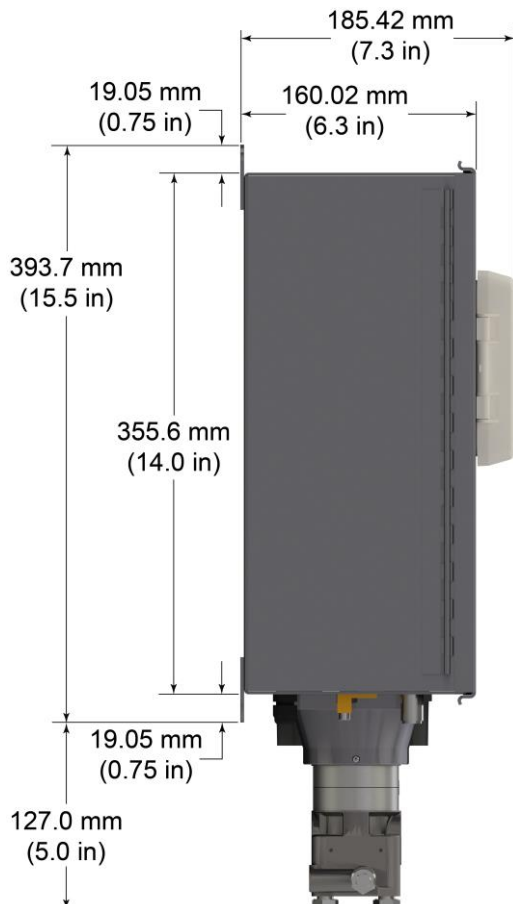




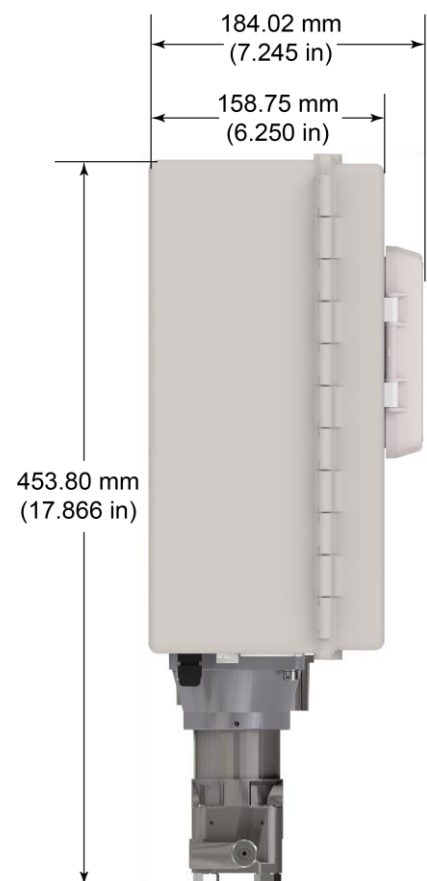
Afbeelding 3. Vooraanzicht van de FB2200 (behuizing van aluminium) (met optionele geïntegreerde MVS-sensor)



Afbeelding 5. Vooraanzicht van de FB2200 (behuizing van glasvezel) (met optionele geïntegreerde MVS-sensor)

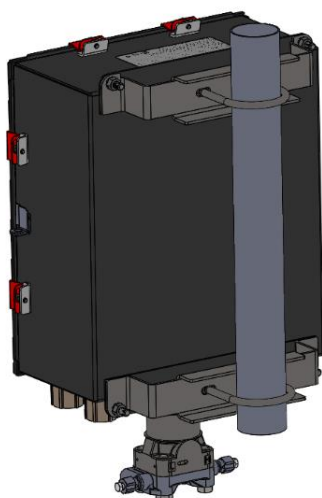


Afbeelding 4. Zijaanzicht van de FB2200 (behuizing van aluminium) (met optionele geïntegreerde MVS-sensor)



Afbeelding 6. Zijaanzicht van de FB2200 (behuizing van glasvezel) (met optionele geïntegreerde MVS-sensor)

- De FB2200 wordt gemonteerd op een twee-inch leiding of mast (zie [afbeelding 7](#)) of kan op een wand of paneel worden bevestigd met gebruik van de vier openingen in de behuizing en geschikte bevestigingen.



Afbeelding 7. FB2200 (behuizing van aluminium) op U-beugel

## Aarding

Open het voorste deksel van de FB2200 zoals nader beschreven in *hoofdstuk 2* van de *Gebruikershandleiding voor Emerson FB2200 flowcomputer* (onderdeelnummer D301784X012) of in de *Beknopte gids voor Emerson FB2200 flowcomputer* (onderdeelnummer D301788X012).

Als uw bedrijf geen specifieke aardingsvereisten heeft, installeer de FB2200 dan als een “zwevend” (niet op de aarde aangesloten) systeem met behulp van de aardaansluiting en door de aarddraad door een van de kabelbuisfittingen te leggen. Volg anders de specifieke aardingsprocedures van uw bedrijf. Wanneer u echter een aansluiting maakt tussen een geaard apparaat en een EIA-232 (RS-232)-poort, moet de voeding van de FB2200 worden **geaard**.

Als aarden van de apparatuur vereist is, let dan op de volgende richtlijnen:

- Wanneer de apparatuur een gelijkspanningsbron gebruikt, moet het aardsysteem eindigen bij de serviceafsluiter. Alle apparaat-aardingsgeleiders, inclusief de draad of doorvoer met de voedingsgeleiders, moeten een niet-onderbroken elektrisch pad bieden naar de serviceafsluiter.
- Onjuiste aarding of slechte aardingsmethoden kunnen vaak problemen veroorzaken, zoals het ontstaan van aardlussen in het systeem. Door een correcte aarding van de FB2200 worden de effecten van elektrische stoorsignalen gereduceerd en wordt het apparaat beschermd tegen blikseminslag. Installeer een overspanningsbeveiliging op de serviceafsluiter op

gelijkspanningssystemen om de geïnstalleerde apparatuur te beschermen tegen blikseminslag en spanningsschommelingen.

- Zorg dat de aarding van de flowcomputer is gescheiden van de kathodische aardingsbeveiliging.
- De aardingsinstallatiemethode voor de FB2200 is afhankelijk van de vraag of de pijpleiding kathodebescherming heeft. Op pijpleidingen met kathodebescherming moet de FB2200 elektrisch worden geïsoleerd van de pijpleiding. Alle aarding en mogen maximaal een staaf- of netimpedantie van 25 ohm hebben, gemeten met een aardingstester.

## Bedrading naar voeding

Bedraad de FB2200 via de doorvoerleidingfittingen op de onderkant van de behuizing. De aansluitblokken bieden plaats aan bedrading van ten hoogste 2 mm in diameter, of 3 mm<sup>2</sup>. Om de draad aan te sluiten op de verwijderbare blokcompressieklemmen:

- Strip het uiteinde (maximaal 6 mm) van de draad.
- Steek het gestripte einde van de draad in de klem onder de aansluitingsschroef.
- Draai de schroef aan.

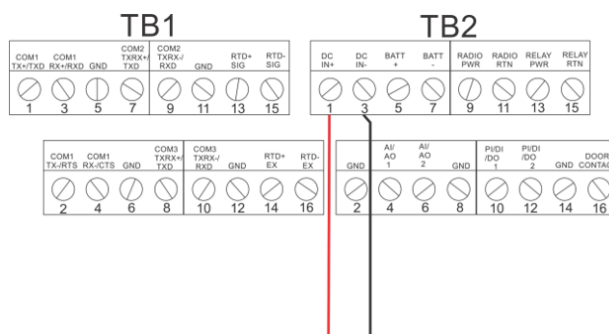
Zorg ervoor dat zo min mogelijk ongeïsoleerde ader bloot ligt om kortsluiting te voorkomen. Laat de draden bij de aansluitingen iets langer om trekbelasting te voorkomen.

Sluit de voedingsbedrading aan. Lees de beschrijvingen voor voedingsbedrading in *hoofdstuk 2* van de *Gebruikershandleiding voor Emerson FB2200 flowcomputer* (onderdeelnummer D301784X012).

## Controleer of de aansluitingspolariteit correct is.

Om gelijkstroomaansluitingen te maken:

- Verwijder de aansluitblokconnector van de houder.
- Steek elke gestripte draad in de juiste connector en zet de draad vast (zie [afbeelding 8](#)).
- Steek de aansluitblokconnector weer in de houder.



Afbeelding 8. Bedrading naar gelijkstroomvoeding

Raadpleeg de *Beknopte gids voor Emerson FB2200 flowcomputer* (onderdeelnummer D301788X012) voor instructies over de aansluiting van de batterij.

## Bedrading naar communicatie en I/O

Sluit de bedrading aan op de aansluitblokken op de I/O- en communicatiemodules. Raadpleeg voor bedradingsschema's en toelichtingen *paragraaf 2.8 in hoofdstuk 2* van de *Gebruikershandleiding voor Emerson FB2200 flowcomputer* (onderdeelnummer D301784X012) of de *Beknopte gids voor Emerson FB2200 flowcomputer* (onderdeelnummer D301788X012).

Sluit nadat het bedraden voor communicatie en I/O is uitgevoerd het deksel op de FB2200 en zet dit vast.

## Inschakelen van de FB2200

### GEVAAR

In een gevaarlijke omgeving mag de voeding naar de eenheid niet worden aan- of afgekoppeld. Controleer of de omgeving niet-gevaarlijk is. Als u dit nalaat kan een explosie het gevolg zijn.

#### 1. Zet de stroom aan om de FB2200 te starten

Als u de stroom aanzet, licht de achtergrondverlichting van de HMI-module ongeveer 5 seconden op en dooft deze vervolgens. Tijdens deze periode begint de database te initialiseren. Na ongeveer 45 seconden gaat de achtergrondverlichting van de HMI weer aan en worden er live gegevens weergegeven.

De bedrading dient periodiek te worden geïnspecteerd op tekenen van achteruitgang.

## De FB2200 configureren

De Field Tools-configuratiesoftware van Emerson (inclusief FBxConnect™) moet op de pc geïnstalleerd worden om de FB2200 te configureren voor gebruik. Raadpleeg de *Beknopte gids voor Emerson FB2200 flowcomputer* (onderdeelnummer D301788X012) voor instructies over de installatie en het gebruik van deze software.

## De FB2200 resetten

Als u problemen ondervindt die mogelijk betrekking hebben op de software, probeer dan de FB2200 te resetten. Raadpleeg het hoofdstuk *Service en storingzoeken* in de *Gebruikershandleiding voor Emerson FB2200 flowcomputer* (onderdeelnummer D301784X012) voor nadere instructies.

**Let op:** Met een reset gaan alle configuratie- en loggegevens verloren. Maak indien mogelijk een back-up van de configuratie- en loggegevens **voordat** u probeert te resetten.

## Vervanging van onderdelen in de FB2200

Raadpleeg *Tabel 1* voor een lijst met door de gebruiker te onderhouden onderdelen en de desbetreffende vervangingshandleidingen in het veld.

## Retourneren van de FB2200

Als u problemen ondervindt die met de hardware te maken lijken te hebben, controleer dan de bekabeling. Als u daarna nog steeds problemen ondervindt, vraag dan toestemming aan het plaatselijke verkoopkantoor voor retourzending. Om het apparaat te retourneren:

1. Maak back-ups van alle configuraties en gegevens voordat u het apparaat uit het proces verwijdert. Koppel het apparaat vervolgens los van de voeding en verwijder alle externe bedrading.
2. De-installeer het apparaat.
3. Plaats het apparaat in een doos die geschikt is voor verzending of opslag.

Ga voor klantenservice en ondersteuning naar  
[www.Emerson.com/SupportNet](http://www.Emerson.com/SupportNet).

**Internationaal hoofdkantoor,**

**Noord-Amerika en Latijns-Amerika:**

Emerson Automation Solutions  
Remote Automation Solutions  
6005 Rogerdale Road  
Houston, TX 77072, VS  
T +1 281 879 2699 | F +1 281 988 4445  
[www.Emerson.com/RemoteAutomation](http://www.Emerson.com/RemoteAutomation)

**Europa:**

Emerson Automation Solutions  
Remote Automation Solutions  
Unit 8, Waterfront Business Park  
Dudley Road, Brierley Hill  
Dudley DY5 1LX UK  
T +44 1384 487200 | F +44 1384 487258

**Midden-Oosten en Afrika:**

Emerson Automation Solutions  
Remote Automation Solutions  
Emerson FZE  
P.O. Box 17033  
Jebel Ali Free Zone – South 2  
Dubai V.A.E.  
T +971 4 8118100 | F +971 4 8865465

**Azië-Pacific:**

Emerson Automation Solutions  
Remote Automation Solutions  
1 Pandan Crescent  
Singapore 128461  
T +65 6777 8211 | F +65 6777 0947

© 2017-2018 Remote Automation Solutions, een afdeling van Emerson Automation Solutions. Alle rechten voorbehouden.

Deze publicatie dient uitsluitend ter informatie. Hoewel we uiterste zorg hebben besteed aan de nauwkeurigheid, kunnen er geen rechten of garanties, expliciet of impliciet, met betrekking tot de producten of diensten die erin beschreven worden, of het gebruik of de toepasbaarheid ervan, aan worden ontleend. Remote Automation Solutions (RAS) behoudt zich het recht voor de ontwerpen of specificaties van deze producten op elk moment en zonder kennisgeving aan te passen of te verbeteren. Alle verkooptransacties vallen onder de voorwaarden van RAS, welke op verzoek beschikbaar worden gesteld. RAS aanvaardt geen verantwoordelijkheid voor juiste selectie, juist gebruik en juist onderhoud van welk product dan ook; deze verantwoordelijkheid berust uitsluitend bij de koper en/of eindgebruiker.

# Computador de caudal de Emerson FB2200

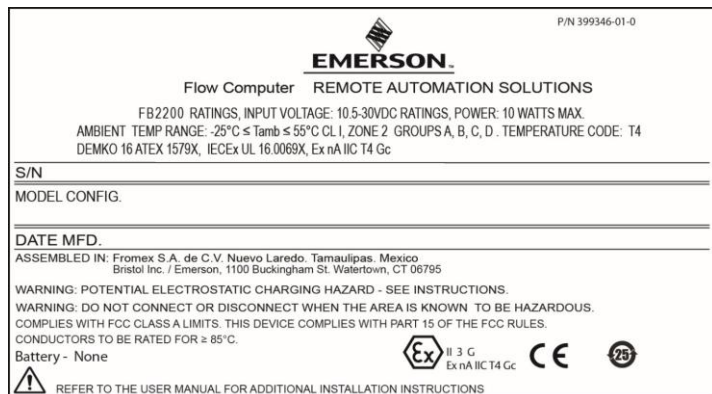


Figura 1. Etiqueta del Emerson FB2200 (antichispas con sensor integral)

Usar este documento de instrucciones de uso seguro (SUI) con el manual de instalación del computador de caudal Emerson FB2200 (parte D301784X012). Para conocer todas las precauciones y las descripciones de instalación y los procedimientos de solución de problemas, consultar este manual. Si se necesita una capacitación sobre este producto, comunicarse con la oficina de ventas local.

El computador de caudal Emerson FB2200 (o “FB2200”) con aprobación ATEX puede pedirse con cualquiera de los módulos de comunicación o de E/S opcionales que se indican en la hoja de datos del producto *Computador de caudal Emerson FB2200* (parte D301792X012).

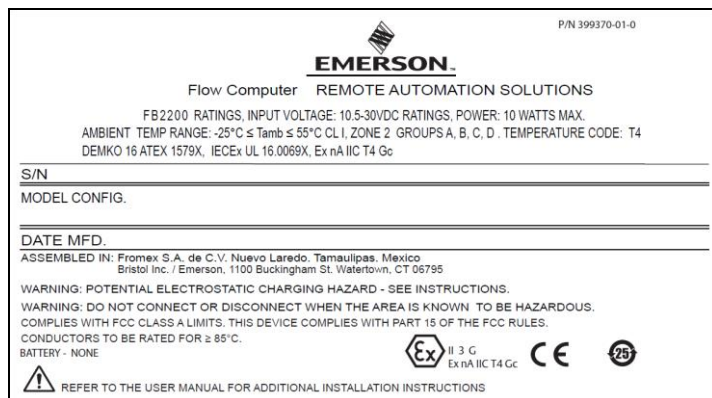


Figura 2. Etiqueta del Emerson FB2200 (antichispas sin sensor integral)

## Declaración de conformidad

Por la presente, Remote Automation Solutions declara que los computadores de caudal Emerson FB2200 cumplen con los requisitos esenciales y otras provisiones relevantes de las directivas europeas 2014/30/EU (EMC) y 2014/34/EU (ATEX).

## Condiciones específicas de uso

- Use el equipo en un área de grado de polución 2 como máximo.

- Tome medidas para asegurar que, en caso de disturbios transitorios, el voltaje nominal no exceda el 140% del voltaje nominal máximo.
- Las opciones de batería de ácido de plomo y energía solar no se pueden utilizar en aplicaciones ATEX.
- Se realizaron pruebas de impacto en el indicador de acuerdo con valores del grupo II para el riesgo bajo de daño mecánico, de acuerdo con la tabla 13 tanto de EN 60079-0:2012+A11:2013 como de IEC 60079-0 6<sup>ta</sup> edición. Instalar los computadores de caudal con los indicadores en áreas donde el riesgo de impacto es bajo.
- En instalaciones de zona 2, asegúrese de que el computador de caudal se instale y se use de modo que se evite el peligro de cargas electrostáticas.
- El compartimento FB2200 requiere una herramienta para abrirse. Consulte la sección *Seguridad física* en el Capítulo 1 del *Manual de instrucciones del computador de caudal Emerson FB2200* (número de pieza D301784X012) para obtener más información.
- Consulte la *Tabla 1* para conocer las piezas de repuesto.

Tabla 1. Piezas de repuesto

Pieza de repuesto	Número de kit	Número de documento de la Guía de reemplazo de campo
Tablero de E/S de expansión de 8 canales	400217010-KIT	D301804X012
Tablero de E/S de expansión de 6 canales	400215010-KIT	D301803X012
Ensamble de la pantalla del módulo de HMI	399379-01-0, 621627011-KIT, 399380-01-0, 621627020-KIT	D301822X012
Tablero de terminación de E/S	400210010-KIT, 358807010-KIT	D301805X012
Electrónica y compartimento de CPU	621673-01-0, 621674-01-0, 621675-01-0, 621676-01-0, 621678-01-0, 400209010-KIT, 399260-01-0, 399264-01-0, 400211010-KIT	D301803X012
Sensor	Número de kit variable	D301843X012
Accesorios de la puerta	399291-01-0, 399267-01-0, 399266-01-0, 621661010-KIT, 399394-00-0	D301825X012
Relé	395828-01-0	D301847X012
Batería de celda tipo moneda	395620-03-1	D301855X012

## Especificaciones

### ALIMENTACIÓN

Rango de operación: 10,5 VCC a 30 VCC (10 W máx)

### GABINETE

#### Carcasa:

Aluminio con recubrimiento en polvo, con puerta con seguro  
Fibra de vidrio de moldeada compresión, con puerta

### ES POSIBLE

#### Temperatura de operación:

Antichispas (Ex nA):  $-25^{\circ}\text{C}$  to  $+55^{\circ}\text{C}$ .

#### Temperatura de almacenamiento: $-40^{\circ}\text{C}$ a $+85^{\circ}\text{C}$ .

**Humedad de operación:** 5-95% sin condensación según IEC 60068-2-3.

### PESO

6,94 kg (15,3 lbs) (carcasa de fibra de vidrio)  
10,75 kg (23,7 lbs) (carcasa de aluminio)

### APROBACIONES

#### Evaluated según las siguientes normas europeas (EMC):

EN 61326-1:2013 (emisiones)

EN 61326-2-3:2013 (inmunidad)

#### Inmunidad

EN 61000-4-2 (descarga electrostática)

EN 61000-4-3 (inmunidad radiada)

EN 61000-4-4 (transientes rápidas)

EN 61000-4-5 (sobretensiones)

EN 61000-4-6 (RF conducida)

EN 61000-4-8 (campo magnético de frecuencia de potencia)

EN 61000-4-17 (fluctuación de voltaje)

EN 61000-4-29 (caídas e interrupciones de voltaje)

#### Evaluated según las siguientes normas de aprobación:

Directiva 2014/34/EU

EN 60079-0:2012+A11:2013

EN 60079-15:2010

#### Evaluated según las siguientes normas (IEC):

IEC 60079-0 (2011), 6<sup>th</sup> Edición

IEC 60079-15 (2010), 4<sup>th</sup> Edición

#### Marcas de producto para áreas clasificadas:

Ex nA IIC T4 Gc ( $-25^{\circ}\text{C} \leq T_{\text{amb}} \leq +55^{\circ}\text{C}$ ),



Cert. N.º DEMKO 16 ATEX 1579X

## ⚠ PELIGRO

Al instalar unidades en un área clasificada, asegurarse de que todos los componentes seleccionados para la instalación estén diseñados para su uso en este tipo de entornos. La instalación y el mantenimiento deben llevarse a cabo solo cuando se tenga la seguridad de que el área no es clasificada. La instalación o el mantenimiento en un área clasificada podría ocasionar lesiones personales o daños materiales.

Siempre apagar la alimentación del FB2200 antes de intentar cualquier tipo de cableado. El cableado de equipos con alimentación conectada podría ocasionar lesiones personales o daños materiales.

Para evitar daños en los circuitos al trabajar dentro de la unidad, utilizar las debidas precauciones contra descargas electrostáticas, como el uso de una pulsera antiestática conectada a tierra.

Revisar la polaridad de la alimentación de entrada antes de conectar la alimentación al FB2200. El cableado de equipos con alimentación conectada podría ocasionar lesiones personales o daños materiales.

Se requieren las siguientes herramientas para la instalación, el mantenimiento y la solución de problemas:

- Computadora personal con Microsoft® Windows® 7 Professional, Windows 8.1 Pro o Windows 10 Pro y el software de configuración Emerson Field Tools (que proporciona FBxConnect™).
- Destornillador Phillips #1 y #2 (cruciforme).
- Destornillador de cabeza plana de 3 mm (1/8 in).

## Desembalaje

El FB2200 se recibe en una caja. Retírelo de la caja. Revisar cuidadosamente la lista de embalaje para asegurarse de que tiene todos los componentes.

## Instalación

1. Buscar un lugar adecuado para el FB2200. Al seleccionar un lugar para la instalación, asegurarse de revisar todos los espacios vacíos. La carcasa del FB2200 está diseñada para resistir una variedad de condiciones inclementes. La pantalla LCD opcional debe ser visible y accesible para el operador in situ.

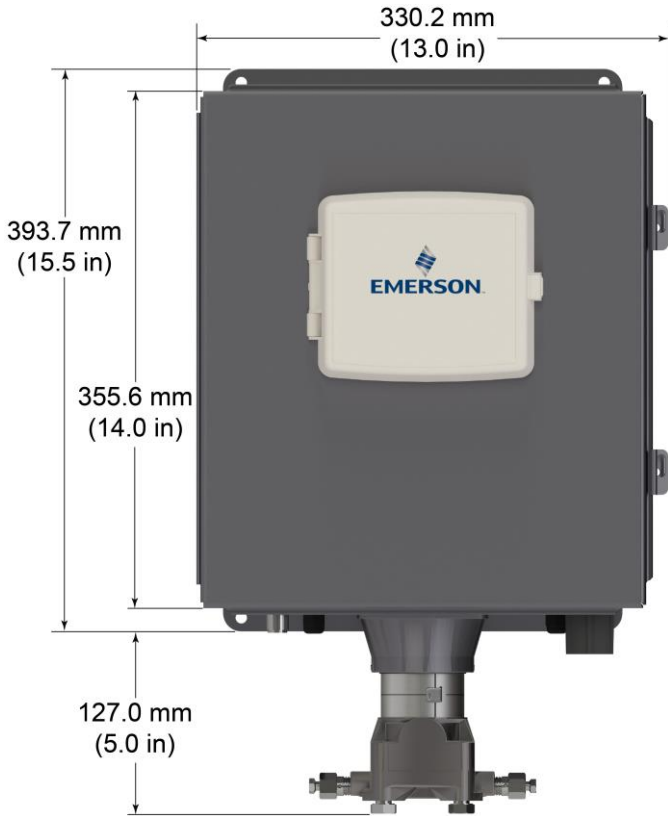


Figura 3. Vista delantera del FB2200 (carcasa de aluminio)  
 (con sensor integral opcional MVS)

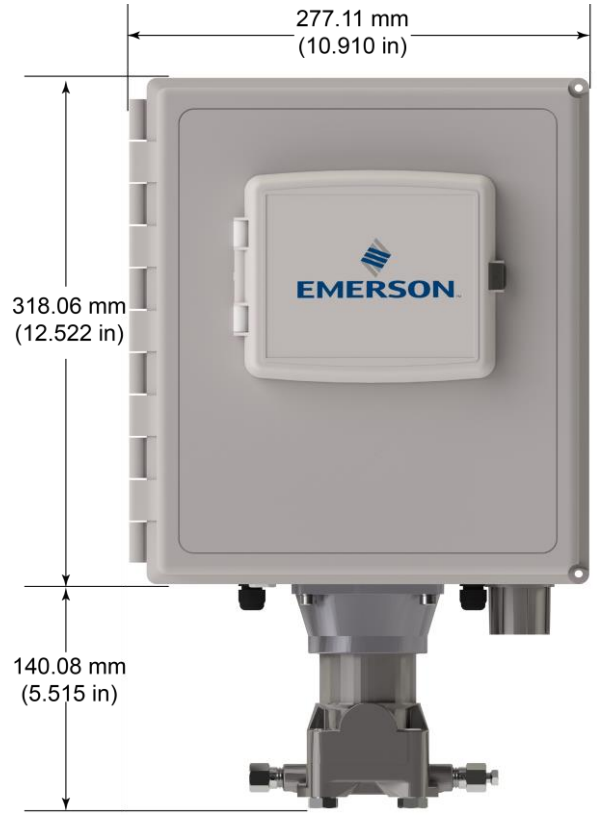


Figura 5. Vista delantera del FB2200 (carcasa de fibra de vidrio)  
 (con sensor integral opcional MVS)

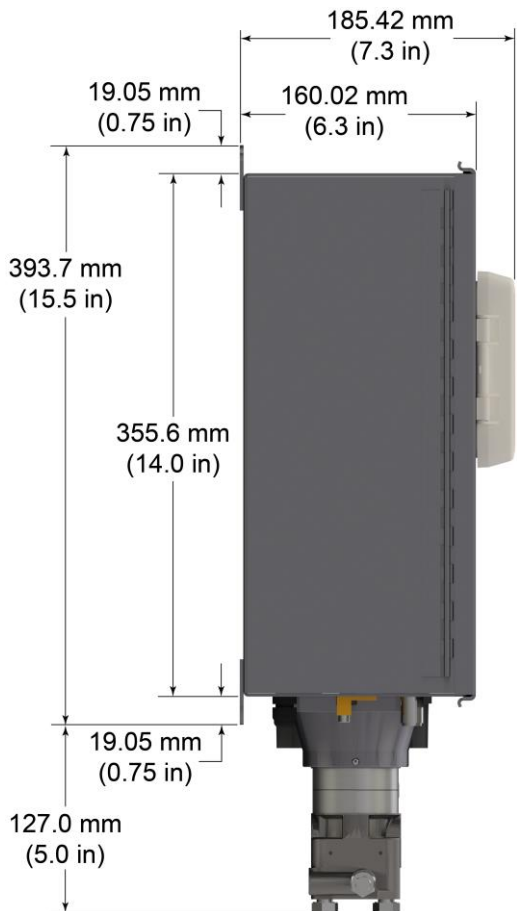


Figura 4. Vista lateral del FB2200 (carcasa de aluminio)  
 (con sensor integral opcional MVS)

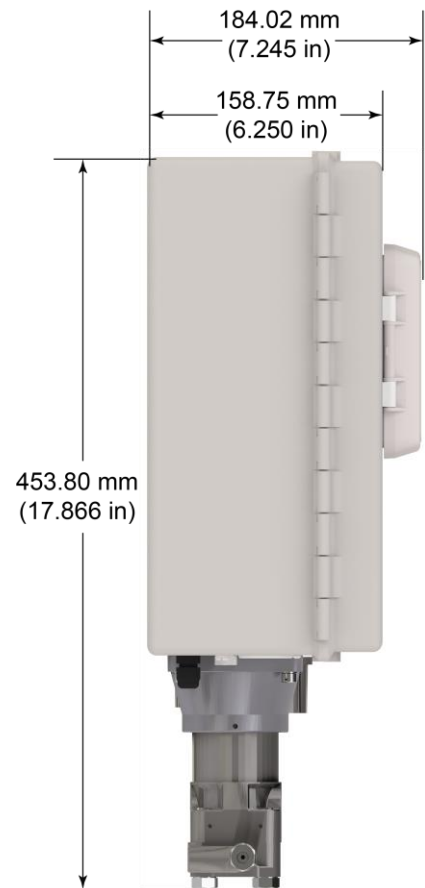


Figura 6. Vista lateral del FB2200 (carcasa de fibra de vidrio)  
 (con sensor integral opcional MVS)

2. El FB2200 se monta en un tubo o porte de dos pulgadas (consultar la [Figura 7](#)) o se puede montar en una pared o panel utilizando los cuatro orificios de la caja y los accesorios adecuados.

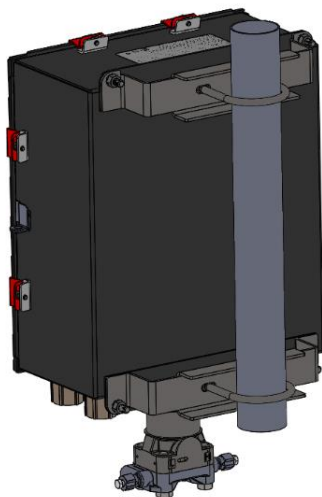


Figura 7. FB2200 (carcasa de aluminio) montado en tubería

### Puesta a tierra

Abrir la puerta delantera del FB2200 como se indica en el [Capítulo 2](#) del *manual de instrucciones del computador de caudal Emerson FB220* (parte D301784X012) o en la *guía de inicio rápido del computador de caudal Emerson FB2200* (parte D301788X012).

Si la empresa no tiene requisitos específicos de conexión a tierra, instalar el FB2200 como un sistema “flotante” (no conectado a tierra) usando la lengüeta de conexión a tierra y extienda el cable de tierra a través de uno de los acoplamientos del conducto. De lo contrario, seguir las prácticas específicas de conexión a tierra de la empresa. Sin embargo, si se está haciendo una conexión entre un dispositivo con puesta a tierra y un puerto EIA-232 (RS-232), **conectar a tierra** la fuente de alimentación del FB2200.

Si se debe conectar a tierra el equipo, tener en cuenta las siguientes recomendaciones:

- Cuando el equipo utiliza fuentes de voltaje de CC, el sistema de conexión a tierra se debe terminar en el punto de desconexión del servicio. Todos los conductos de conexión a tierra del equipo, incluidos el cable o conducto que llevan la alimentación, deben proporcionar un recorrido eléctrico ininterrumpido hasta la desconexión del servicio.
- Una conexión a tierra incorrecta o prácticas de conexión deficientes, con frecuencia, pueden causar problemas, como la introducción de lazos de tierra en el sistema. La puesta a tierra adecuada del FB2200 contribuye a reducir los efectos del ruido eléctrico en el funcionamiento de la unidad y la protege contra rayos. Instalar un dispositivo de protección contra sobretensiones en la

desconexión de servicio en sistemas de voltaje de CC para proteger el equipo instalado contra rayos y sobretensiones.

- Asegurarse de que la conexión a tierra del computador de caudal esté separada de la conexión a tierra de protección catódica.
- El método de instalación de la conexión a tierra para el FB2200 depende de si la tubería tiene una protección catódica. En tuberías con protección catódica, aislar eléctricamente el FB2200 con respecto a la tubería. Todas las conexiones a tierra deben tener una varilla a tierra o rejilla de tierra con impedancia de 25 ohmios o menos, medida con un probador de sistemas de tierra.

### Cableado de alimentación

Conectar el cableado del FB2200 a través de las conexiones del conducto en la parte inferior de la carcasa. Los bloques de terminales aceptan cableado de 2 mm de diámetro/3 mm<sup>2</sup> o menor. Para conectar el cable a terminales de compresión de bloque removibles:

- Pelar el extremo del cable (6 mm como máximo).
- Insertar el extremo pelado del cable en el sujetador debajo del tornillo de terminación.
- Ajustar el tornillo.

Dejar expuesta una cantidad mínima de cable desnudo para evitar cortocircuitos. Permitir que haya algo de holgura cuando haga las conexiones para evitar la presión.

Conectar el cable de alimentación. Revisar las descripciones del cableado de alimentación en el [Capítulo 2](#) del *manual de instrucciones del computador de caudal del Emerson FB2200* (parte D301784X012).

### Verificar si la polaridad del enganchado es correcta.

Para hacer conexiones de suministro de alimentación de CC:

- Quitar el conector del bloque de terminales del toma corriente.
- Insertar cada extremo descubierto del cable en su conector adecuado y fijar el cable (consultar las [Figura 8](#)).
- Enchufar el conector del bloque de terminales de nuevo en el toma corriente.



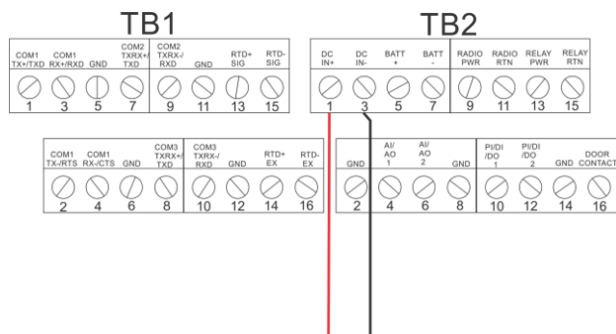


Figura 8. Cableado a la fuente de alimentación de CC

Consultar la *guía de inicio rápido del computador de caudal Emerson FB2200* (parte D301788X012) para obtener más información sobre la conexión de la batería.

### Cableado de comunicación y E/S

Conectar el cableado a los bloques de terminales en los módulos de comunicaciones y de E/S. Consultar la *Sección 2.8 del capítulo 2 del manual de instrucciones del computador de caudal Emerson FB2200* (parte D301784X012) o la *guía de inicio rápido del computador de caudal Emerson FB2200* (parte D301788X012) para ver los esquemas y las explicaciones del cableado.

Cuando se hayan conectado las comunicaciones y las E/S, cerrar y fijar la tapa del FB2200.

### Alimentación del FB2200

#### **⚠ PELIGRO**

No intentar conectar la alimentación ni desconectar del equipo en un área clasificada. Asegurarse de que el área no está clasificada. De lo contrario se puede ocasionar una explosión.

1. Para encender el FB2200, aplicar alimentación.

Cuando se enciende, la luz de fondo del módulo HMI se enciende por aproximadamente 5 segundos, luego se apaga. Durante este tiempo la base de datos comienza a inicializarse. Después de aproximadamente 45 segundos la luz de fondo del HMI se enciende otra vez y comienza a mostrar datos activos.

Revisar periódicamente el cableado en busca de señales de deterioro.

### Configuración del FB2200

Se debe instalar el software de configuración Field Tools de Emerson (que incluye FBxConnect™) en el PC para configurar el FB2200 para utilizarlo. Consultar la *guía de inicio rápido del computador de caudal Emerson FB2200* (parte D301788X012) para ver instrucciones sobre la instalación y uso de este software.

### Reinicio del FB2200

Si se tienen problemas que parecen estar relacionadas con el software, intentar reiniciar el FB2200. Consultar el capítulo de *Servicio y solución de problemas* en el *manual de instrucciones del computador de caudal Emerson FB2200* (parte D301784X012) para ver instrucciones específicas.

**Nota:** Se pierde todos los datos de registro y configuración con un reinicio. Si es posible, hacer un respaldo de los datos de configuración y registro **antes** de intentar realizar cualquier tipo de reinicio.

### Reemplazo de piezas del FB2200

Consulte la *Tabla 1* para obtener una lista de las piezas a las que el usuario les da servicio y sus Guías de reemplazo de campo respectivas.

### Regresar el FB2200

Si tiene problemas que parezcan estar relacionados con el hardware, revise el cableado. Si todavía tiene problemas, comuníquese con la oficina de ventas local para obtener una autorización de devolución. Para regresar al dispositivo:

1. Respalde toda la configuración y todos los datos antes de quitar el dispositivo del proceso. Luego desconecte la alimentación del dispositivo y quite todo el cableado externo.
2. Desinstalar el dispositivo.
3. Coloque el dispositivo en una caja de manera segura para el envío o almacenamiento.

## Instrucciones para un uso seguro – Emerson FB2200

Parte D301801X012

Septiembre de 2018

---

Para recibir servicio al cliente y soporte técnico, visite [www.Emerson.com/SupportNet](http://www.Emerson.com/SupportNet).

### Oficinas centrales,

#### Norteamérica y Latinoamérica:

Emerson Automation Solutions  
Remote Automation Solutions  
6005 Rogerdale Road  
Houston, TX 77072 EE. UU.  
Tel. +1 281 879 2699 | Fax +1 281 988 4445  
[www.Emerson.com/RemoteAutomation](http://www.Emerson.com/RemoteAutomation)

#### Europa:

Emerson Automation Solutions  
Remote Automation Solutions  
Unit 8, Waterfront Business Park  
Dudley Road, Brierley Hill  
Dudley DY5 1LX UK  
Tel. +44 1384 487200 | Fax +44 1384 487258

#### Oriente Medio/África:

Emerson Automation Solutions  
Remote Automation Solutions  
Emerson FZE  
P.O. Box 17033  
Jebel Ali Free Zone – South 2  
Dubái E. A. U.  
Tel. +971 4 8118100 | Fax +971 4 8865465

#### Asia-Pacífico:

Emerson Automation Solutions  
Remote Automation Solutions  
1 Pandan Crescent  
Singapur 128461  
Tel. +65 6777 8211 | Fax +65 6777 0947

© 2017-2018 Remote Automation Solutions, una unidad comercial de Emerson Automation Solutions. Reservados todos los derechos.

Esta publicación tiene fines exclusivamente informativos. Aunque se han realizado todos los esfuerzos para garantizar su exactitud, el objetivo de esta publicación no es hacer afirmaciones respecto a las prestaciones del equipo ni recomendaciones de procesos. Aunque se han realizado todos los esfuerzos para garantizar su exactitud, esta publicación no incluye garantías, explícitas o implícitas, incluyendo los productos o servicios descritos o su uso o aplicación. Remote Automation Solutions se reserva el derecho de modificar o mejorar los diseños o especificaciones de dichos productos en cualquier momento, sin previo aviso. Todas las ventas están regidas por los términos y condiciones de RAS, los cuales se encuentran disponibles a pedido. RAS no acepta responsabilidad de la selección, el uso y el mantenimiento correctos de cualquier producto, que corresponde exclusivamente al comprador y/o al usuario final.