



FN4070-FN4080 Seat Belt Buckle Sensor

SPECIFICATIONS

- Operating ranges from 0-1kN to 0-50kN
- Crash-testing
- Compatible with most seat belts
- Detachable tongue and cable
- Easy and economical maintenance

Lower operating ranges with model **FN4080**

The **FN4070** load cell measures the effort generated on the anchor point of seat belts during crash tests. It has been specifically designed with a replaceable tongue. The load cell can be easily re-used by changing the tongue. It also has a cable output which can be renewed by the crash test technicians to allow for cost-effective, in-house maintenance of the device.

For lower operating ranges 250N refer to model **FN4080**. Consult your MEAS' representative for technical specification.

With many years of experience as a designer and manufacturer of sensors, Measurement Specialties, Inc., often works with customers to design or customize sensors for specific uses and testing environments. To meet your needs we also offer complete turnkey systems. The matched components (sensor, power, amplifier and digital display) are formatted, calibrated and ready for immediate use.

FEATURES

- Multiple tongues adjustable by customer
- Dynamic application
- Very robust for crash
- Easy cable replacement for customer

APPLICATIONS

- Crash test on-board equipment
- Security absorbers
- Parachute belt and anchor testing

STANDARD RANGES

F.S. Ranges in N	1k	5k	10k	25k	50k
F.S. Ranges in Lbf	200	1k	2k	5k	10k
Materials	Aluminum	Stainless Steel			

PERFORMANCE SPECIFICATIONS**All values are typical at temperature 20±1° C**

PARAMETERS	
Operating Temperature Range (OTR)	-20 to 80 °C [-4 to 176 °F]
Compensated Temperature Range (CTR)	0 to 60°C [32 to 140°F]
Zero Shift in CTR	<0.5% F.S. /50°C [/100 F°]
Sensitivity Shift in CTR	<1 % of reading /50 °C [/ 100°F]
Range (F.S.)	1 to 50 kN [200 Lbf to 10 kLbf]
Over-Range	
Without Damage	1.5 x F.S.
Without Destruction	3 x F.S.
Accuracy	
Combined Non-Linearity & Hysteresis	<±0.5% F.S

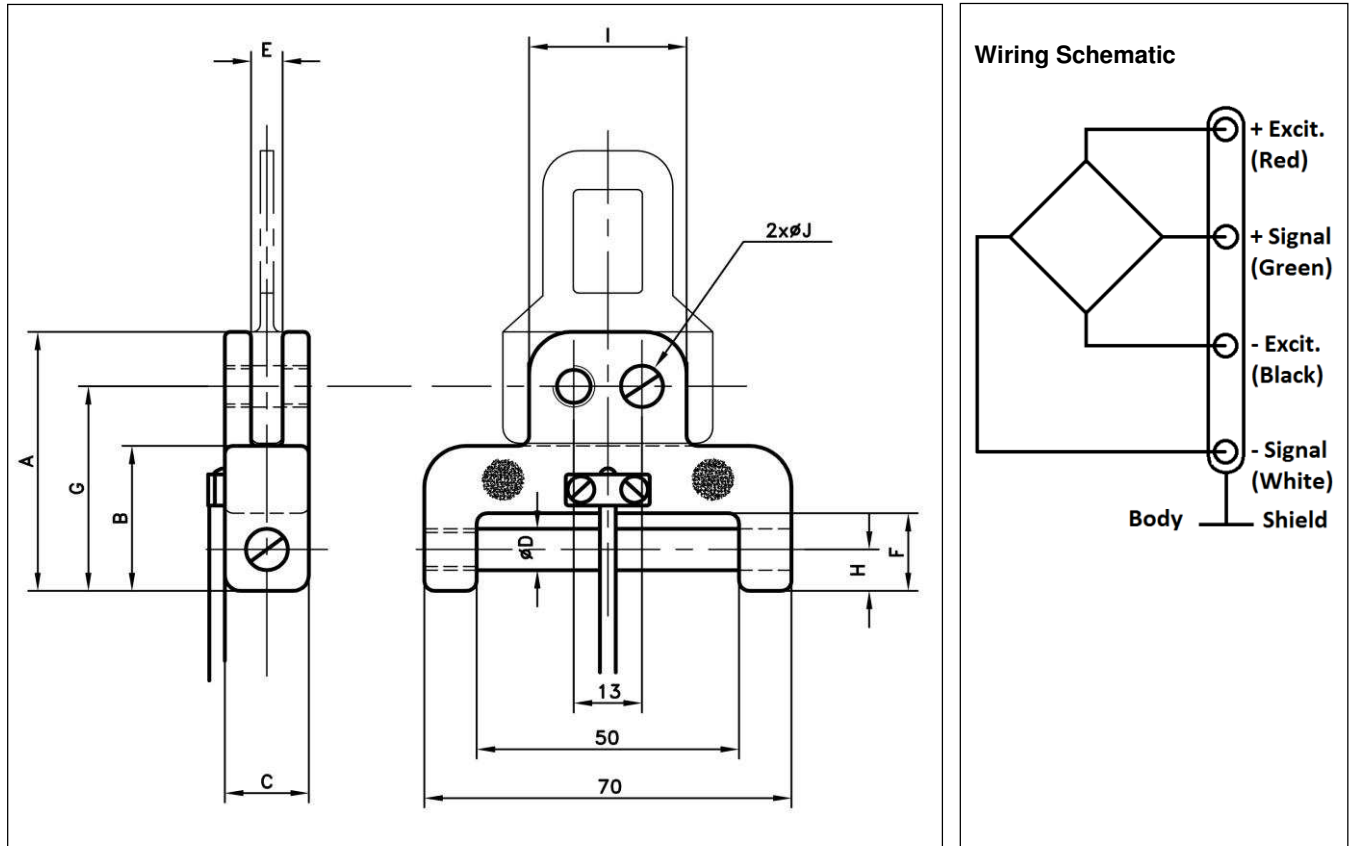
Electrical Characteristics

Model	FN4070
Supply Outage	10Vdc
F.S. Output	20mV
Zero Offset	<±1 mV
Insulation under 50Vdc	≥100MΩ

Notes

1. Shielded $\Phi 3$ cable with 4 wires (AWG36/28), standard length 2 m [6.5 ft]
2. Material: Body in stainless steel or aluminium alloy depending on F.S.
3. Protection Index IP50 (other levels available on request)
4. CE conformance according to EN 61010-1, EN 50081-1, EN 50082-1

DIMENSIONS & WIRING SCHEMATIC (IN METRIC AND IMPERIAL)



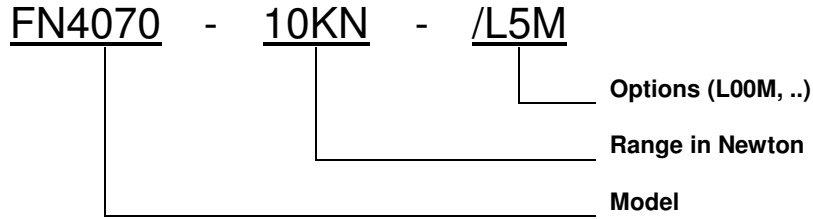
Dimensions in mm [inch]

Full Scale Range in N [in Lbf]	1k [200]	5k [1k]	10k [2k]	25k [5k]	50k [10k]
A	36 [1.42]	50 [1.97]	50 [1.97]	61 [2.40]	92 [3.62]
B	24 [0.94]	28 [1.10]	28 [1.10]	37 [1.46]	55 [2.17]
C	12 [0.47]	15 [0.59]	15 [0.59]	19 [0.75]	29 [1.14]
D	6.2 [0.24]	8.2 [0.32]	8.2 [0.32]	12.2 [0.48]	18.5 [0.73]
E	3 [0.12]	6 [0.24]	6 [0.24]	8 [0.31]	12 [0.47]
F	13 [0.51]	15 [0.59]	15 [0.59]	24 [0.94]	37 [1.46]
G	30.5 [1.20]	39.5 [1.56]	39.5 [1.56]	50.5 [1.99]	75.5 [2.97]
H	7 [0.28]	8 [0.31]	8 [0.31]	12 [0.47]	18.5 [0.73]
I	24 [0.94]	30 [1.18]	30 [1.18]	30 [1.18]	40 [1.57]
J	5.2 [0.20]	8.2 [0.32]	8.2 [0.32]	8.2 [0.32]	12.2 [0.48]

OPTIONS

L00M: Additional cable length option, replace "00" with total length in meters

ORDERING INFORMATION



NORTH AMERICA

Measurement Specialties, Inc.,
a TE Connectivity Company
Vibration Design Center
32 Journey - Suite 150
Aliso Viejo, CA 92656
United States USA
Tel: 1-949-716-0877
Fax: 1-949-916-5677
t&m@meas-spec.com

EUROPE

Measurement Specialties (Europe), Ltd.
a TE Connectivity Company
26 Rue des Dames
78340 Les Clayes-Sous-Bois, France
Tel: +33 (0) 130 79 33 00
Fax: +33 (0) 134 81 03 59
cs.lcsb@meas-spec.com

ASIA

Measurement Specialties (China), Ltd.,
a TE Connectivity Company
No. 26 Langshan Road
Shenzhen High-Tech Park (North)
Nanshan District, Shenzhen 518057 China
Tel: +86 755 3330 5088
Fax: +86 755 3330 5099
pfg.cs.asia@meas-spec.com

TE.com/sensorsolutions

Measurement Specialties, Inc., a TE Connectivity company.

Measurement Specialties, TE Connectivity, TE Connectivity (logo) and EVERY CONNECTION COUNTS are trademarks. All other logos, products and/or company names referred to herein might be trademarks of their respective owners.

The information given herein, including drawings, illustrations and schematics which are intended for illustration purposes only, is believed to be reliable. However, TE Connectivity makes no warranties as to its accuracy or completeness and disclaims any liability in connection with its use. TE Connectivity's obligations shall only be as set forth in TE Connectivity's Standard Terms and Conditions of Sale for this product and in no case will TE Connectivity be liable for any incidental, indirect or consequential damages arising out of the sale, resale, use or misuse of the product. Users of TE Connectivity products should make their own evaluation to determine the suitability of each such product for the specific application.

© 2015 TE Connectivity Ltd. family of companies All Rights Reserved.