



✓RoHS



FEATURES

- Stainless steel construction
- Diaphragm size $\varnothing 3.18$ or $\varnothing 3.56$
- -40°C to $+80^{\circ}\text{C}$ Operating Temperature
- Wide ranges of temperature compensation

APPLICATIONS

- General lab. testing
- Robotics and machine control
- Automotive testing
- Marine and Flight testing

EPB

Miniature Pressure Sensor

SPECIFICATIONS

- Ranges from 0.35 to 350 bar (or 5 to 5000 psi)
- References absolute, sealed or vented
- Flush diaphragm
- Designed for static or dynamic measurements
- Accuracy up to $\pm 0.5\%$ FS

EPB is a small pressure probe sensor, small profile, stainless steel, flush mount transducer designed for general media.

The **EPB**'s frequency resonance goes from 55 kHz up to 400 kHz and makes it suitable for both static and dynamic measurements.

The standard version is suitable for many applications, but the dedicated design team at our Transducer Engineering Centre stands ready to provide a custom design as required.

Another version, the **EPB-PW** has been designed for pore water monitoring.

On request, Instruction documents can be provided to ease the selection and use of our sensors and provide helpful tips.

STANDARD RANGES

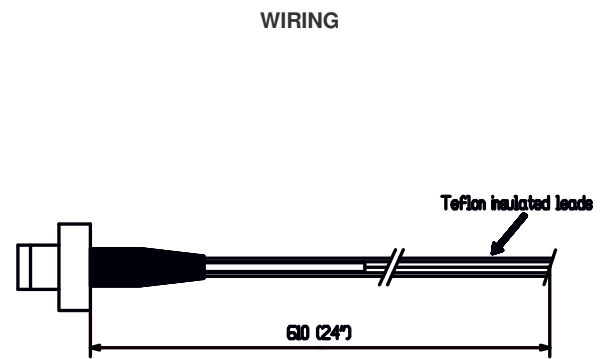
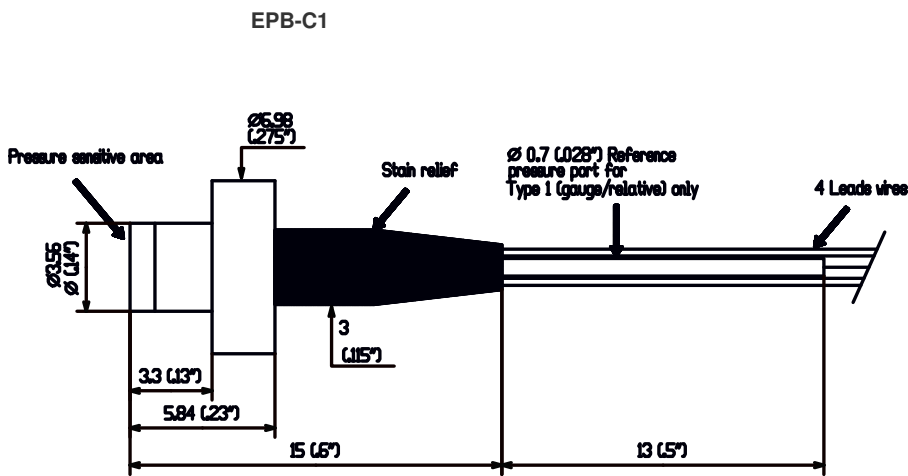
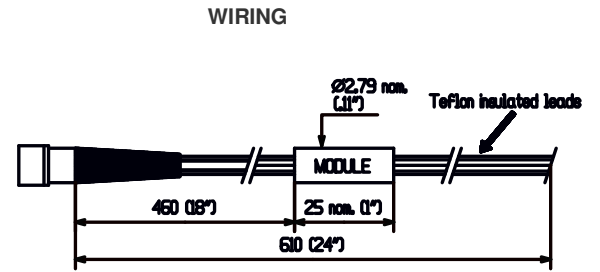
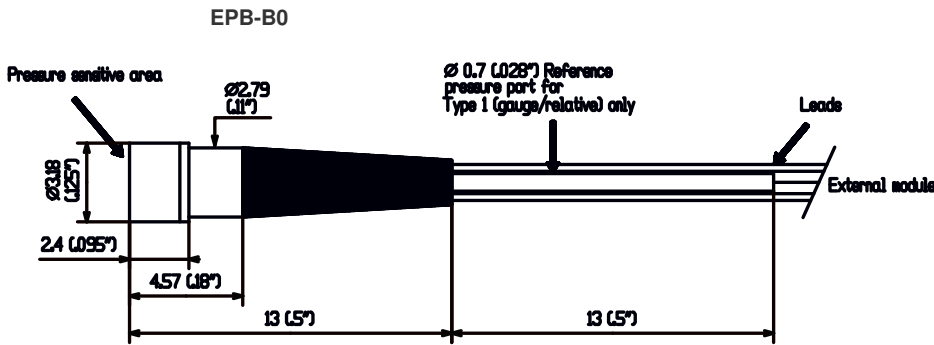
Range (FS)		Pressure Reference			Pressure Limit	Resonant Frequency ⁽¹⁾ (nom.)	Sensitivity "FSO" (nom.)	CNL&H (%FSO)	Thermal Zero Shift "TZS" (/50°C)
bar	psi	gage	sealed	abs.					
0.35	5	•	•	•	10 x FS	55 kHz	10 mV	± 1%	± 1mV
0.7	10	•	•	•	5 x FS	55 kHz	20 mV	± 1%	± 1mV
1	15	•	•	•	3.5 x FS	55 kHz	30 mV	± 1%	± 1mV
1.5	25	•	•	•	2 x FS	55 kHz	50 mV	± 1%	± 2% FSO
3.5	50	•	•	•	2 x FS	60 kHz	75 mV	± 1%	± 2% FSO
7	100	•	•	•	2 x FS	70 kHz	125 mV	± 0.75%	± 1.5% FSO
15	250	•	•	•	2 x FS	100 kHz	125 mV	± 0.5%	± 1.5% FSO
35	500	•	•	•	2 x FS	150 kHz	125 mV	± 0.5%	± 1.5% FSO
70	1000		•	•	2 x FS	200 kHz	125 mV	± 0.5%	± 1.5% FSO
150	2500		•	•	2 x FS	300 kHz	125 mV	± 0.5%	± 1.5% FSO
350	5000		•	•	2 x FS	450 kHz	125 mV	± 1%	± 1.5% FSO

Note 1: useful frequency is 20% of Resonant Frequency

PERFORMANCE SPECIFICATIONS (typical values at temperature 23±3°C)

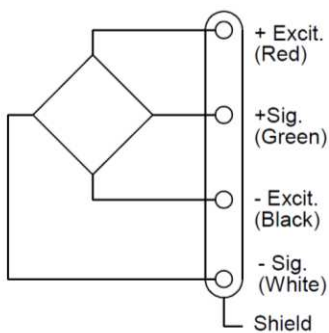
PARAMETERS	VALUES	NOTES
Supply Voltage	10 Vdc	See option table for other Voltages
Input Resistance	1200 Ωnom.	
Output Resistance	350 Ωnom.	
Non-Repeatability	± 0.25% FS	
Thermal Sensitivity Shift in CTR	± 2%/50°C	
Operating Temperature Range (OTR)	-40°C to 120°C	
Compensated temperature Range (CTR)	20°C to 80°C	See option table for other Temperatures
Zero Offset	± 10 mV	
CE conformance according to	EN 61010-1, EN 50081-1, EN 50082-1	

DIMENSIONS (in metric and imperial)



Dimension in mm (in inch)

CONNECTIONS & INSTALLATION



Note: for EPB-B0 thermal compensation is made with an external module

OPTIONS AND ACCESSORIES

OPTIONS	CODES	DESCRIPTIONS
Compensated Temperature Ranges	Z0	-40°C to 20°C
	Z1	-20°C to 40°C
	Z2	0°C to 60°C
	Z4	40°C to 90°C
	Z*	Non-standard, contact factory
Supply Voltage	V00	Replace "00" with Voltage between 1 and 10. If less than 10, Sensitivity "FSO" will decrease accordingly
	V*	Custom Excitation with standard Sensitivity FSO non-standard TSS
Special Cable Length	L00F	Replace "00" with total length in feet
	L00M	Replace "00" with total length in meters
Special Module Location for EPB-B0	M00F	Replace "00" with distance between sensor and module in feet
	M00M	Replace "00" with distance between sensor and module in meters
Waterproofing Cable Exit	X	Short Term Waterproofing (only for EPB-C1 sealed or absolute)
Connector Wired to Leads or Cable	C	Microtech type male or equivalent (w/o mate)
	RS	RJ Telephone type male (w/o mate)

ORDERING INFORMATION

EPB	-	B0	1	-	7B		-	/Z1/V5/L3M/M2M
Model	-	Body	Pres. Ref.	-	Range & Unit ⁽¹⁾		-	/Options
EPB	-	B0 C1	1 = Gauge 2 = Sealed 3 = Absolute	-	0.35B 0.7B 1B 1.5B 3.5B 7B 15B 35B 70B 150B 350B	5P 10P 15P 25P 50P 100P 250P 500P 1KP 2.5KP 5KP	-	/Z0, Z1, Z2, Z4 or Z* /V1 thru V10 or V* /L00F or L00M /M00F or M00M /X /C or RS

NORTH AMERICA

Measurement Specialties, Inc.,
a TE Connectivity Company
45738 Northport Loop West
Fremont, CA 94538
Tel: 1-800-767-1888
Fax: 1-510-498-1578
CustomerCare.lcsb@te.com

EUROPE

Measurement Specialties (Europe), Ltd.,
a TE Connectivity Company
26 Rue des Dames
78340 Les Clayes-sous-Bois, France
Tel: +33 (0) 130 79 33 00
Fax: +33 (0) 134 81 03 59
CustomerCare.lcsb@te.com

ASIA

Measurement Specialties (China), Ltd.,
a TE Connectivity Company
No. 26 Langshan Road
Shenzhen High-Tech Park (North)
Nanshan District, Shenzhen 518057
China
Tel: +86 755 3330 5088
Fax: +86 755 3330 5099
CustomerCare.shzn@te.com

TE.com/sensorsolutions

Measurement Specialties, Inc., a TE Connectivity company.

Measurement Specialties, TE Connectivity, TE Connectivity (logo) and EVERY CONNECTION COUNTS are trademarks. All other logos, products and/or company names referred to herein might be trademarks of their respective owners.

The information given herein, including drawings, illustrations and schematics which are intended for illustration purposes only, is believed to be reliable. However, TE Connectivity makes no warranties as to its accuracy or completeness and disclaims any liability in connection with its use. TE Connectivity's obligations shall only be as set forth in TE Connectivity's Standard Terms and Conditions of Sale for this product and in no case will TE Connectivity be liable for any incidental, indirect or consequential damages arising out of the sale, resale, use or misuse of the product. Users of TE Connectivity products should make their own evaluation to determine the suitability of each such product for the specific application.

© 2015 TE Connectivity Ltd. family of companies All Rights Reserved.